

**LEGEND**

- KEY SWITCH CONTROL
- CEILING SUPPORT & HANGER
- CEILING ACCESS PANEL

**PRELIMINARY:**  
THIS DRAWING IS INTENDED AS A GUIDE. IN ALL CASES SKYFOLD SHOP DRAWINGS SPECIFIC TO EACH PROJECT ARE REQUIRED FOR FINAL BUILD-TO DIMENSIONS.

**NOTE: ALL SUPPORT STEEL IS BY OTHERS.**

**\*\*C-CHANNEL DESIGNATION:**

NORTH & SOUTH =	C8 x 11.5
AMERICA	[C200 x 17]
EUROPE =	C200 x 75
ASIA =	C200 x 80

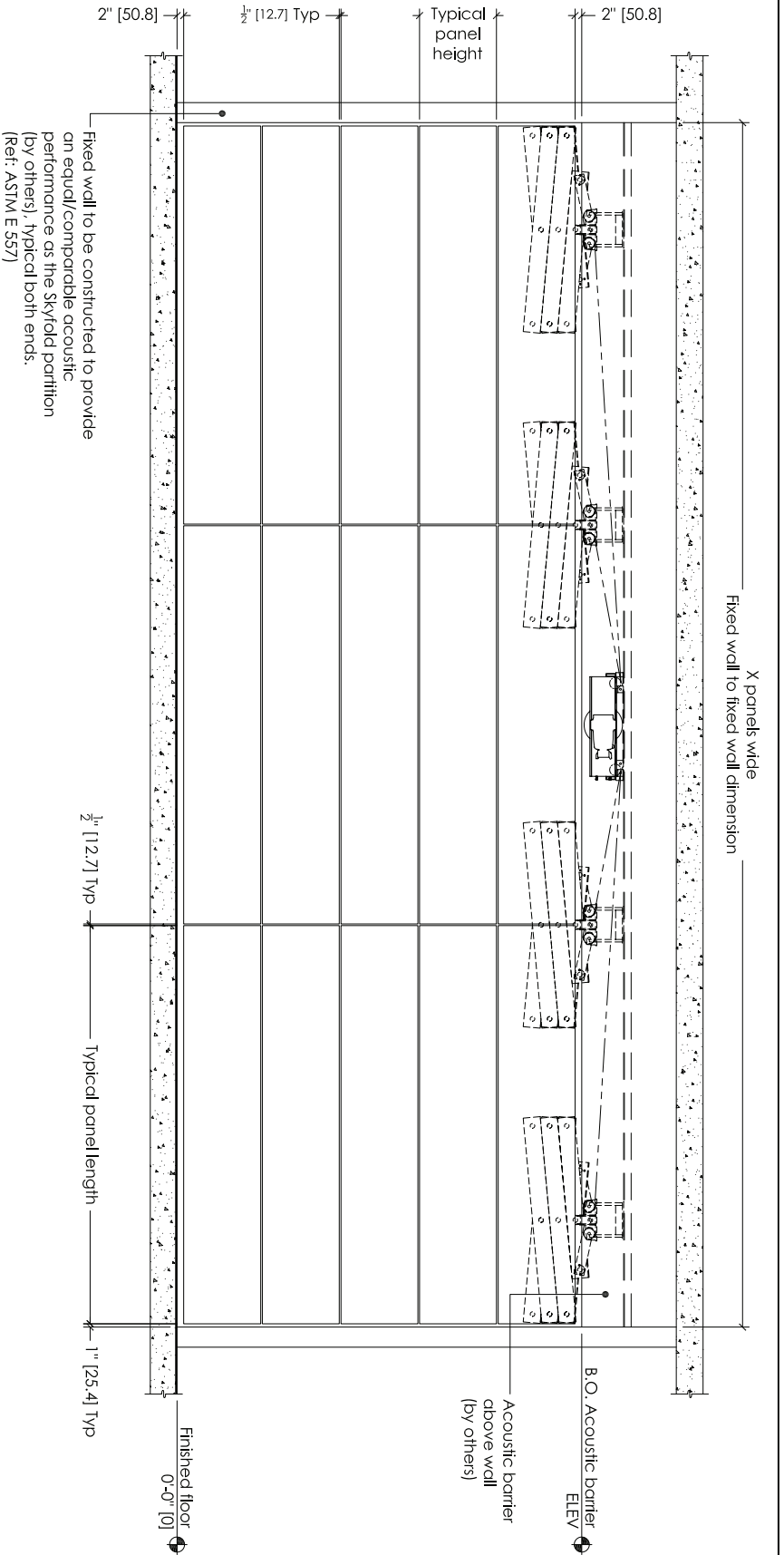
**NOTE:**  
C-CHANNEL IS INSTALLED WITH FLANGES UP.

**SKYFOLD**  
classic series

TYPICAL ODD SKYFOLD WALL  
Standard drive unit

**PLAN**

SCALE  
N.T.S.



**NOTE:**  
 FINISHED FLOOR +1/4" [+6] / -0 [-0] FROM FLAT LEVEL  
 FIXED WALL +1/4" [+6] / -0 [-0] FROM FLAT LEVEL


**NOTE: ALL SUPPORT STEEL IS BY OTHERS.**

**PRELIMINARY:**  
 THIS DRAWING IS INTENDED AS A GUIDE. IN ALL CASES SKYFOLD SHOP DRAWINGS SPECIFIC TO EACH PROJECT ARE REQUIRED FOR FINAL BUILD-TO DIMENSIONS.

**\*\*C-CHANNEL DESIGNATION:**

NORTH & SOUTH AMERICA	=	C8 x 11.5 [C200 x 17]
EUROPE	=	C200 x 75
ASIA	=	C200 x 80

**NOTE:**  
 C-CHANNEL IS INSTALLED WITH FLANGES UP.



**SKYFOLD**  
*classic™ series*

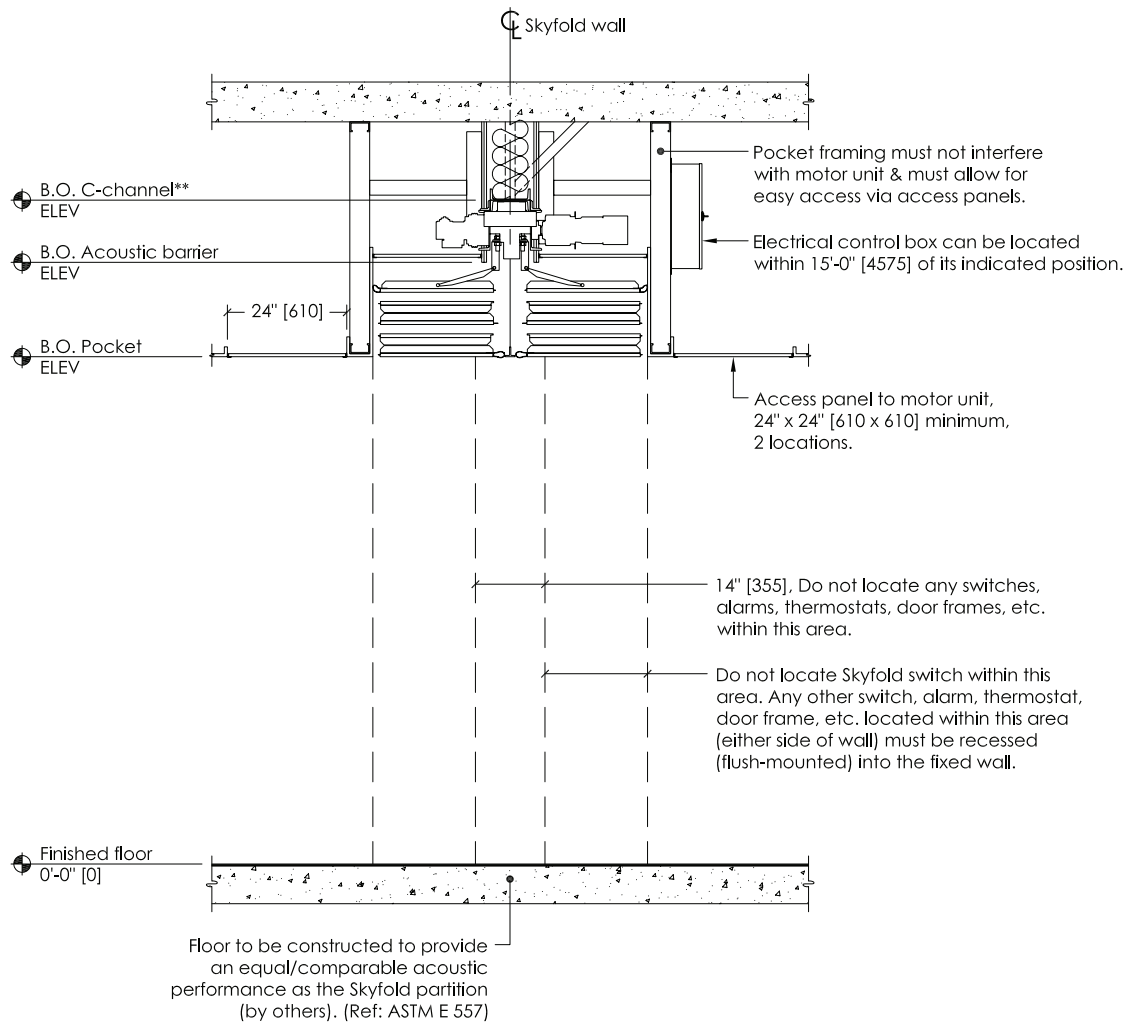
TYPICAL ODD SKYFOLD WALL  
 Standard drive unit

**ELEVATION**

DRAWING NO. **S5312-2 R1**

SCALE  
 N.T.S.

Standard motor unit & ceiling supports to be attached to C-channel\*\* before construction of acoustic barrier & pocket.



**\*\*C-CHANNEL DESIGNATION:**

NORTH & SOUTH = C8 x 11.5  
 AMERICA [C200 x 17]  
 EUROPE = C200 x 75  
 ASIA = C200 x 80

NOTE:  
 C-CHANNEL IS INSTALLED WITH  
 FLANGES UP.



**NOTE: ALL SUPPORT STEEL IS BY OTHERS.**

**PRELIMINARY:**

THIS DRAWING IS INTENDED AS A GUIDE. IN ALL CASES SKYFOLD SHOP DRAWINGS SPECIFIC TO EACH PROJECT ARE REQUIRED FOR FINAL BUILD-TO DIMENSIONS.

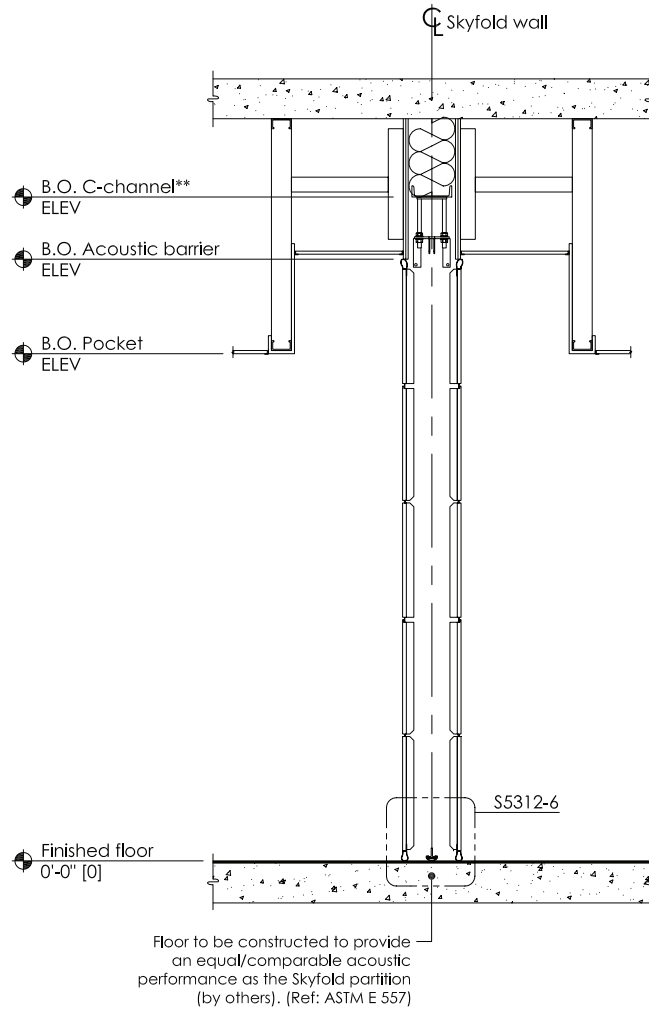


TYPICAL ODD SKYFOLD WALL  
 Standard drive unit

**SECTION: WALL UP**

drawing no. **S5312-3 R1** scale **N.T.S.**

Standard motor unit & ceiling supports to be attached to C-channel\*\* before construction of acoustic barrier & pocket.




**\*\*C-CHANNEL DESIGNATION:**

NORTH & SOUTH = C8 x 11.5  
 AMERICA [C200 x 17]

EUROPE = C200 x 75

ASIA = C200 x 80

NOTE:  
 C-CHANNEL IS INSTALLED WITH  
 FLANGES UP.



**NOTE: ALL SUPPORT STEEL IS BY OTHERS.**

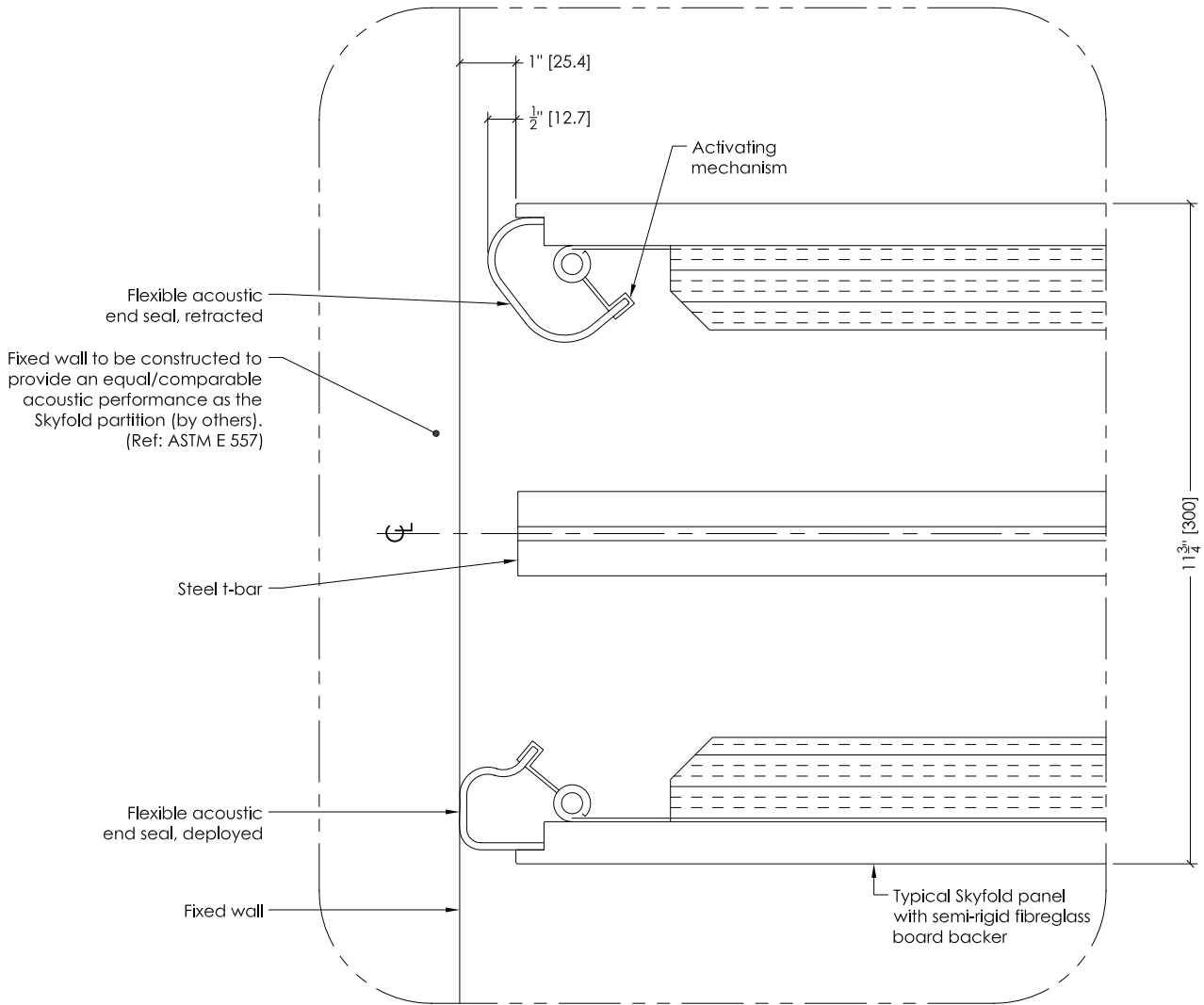
**PRELIMINARY:**  
 THIS DRAWING IS INTENDED AS A GUIDE. IN ALL CASES  
 SKYFOLD SHOP DRAWINGS SPECIFIC TO EACH PROJECT  
 ARE REQUIRED FOR FINAL BUILD-TO DIMENSIONS.



TYPICAL ODD SKYFOLD WALL  
 Standard drive unit

**SECTION: WALL DOWN**

drawing no. **S5312-4 R1** scale **N.T.S.**



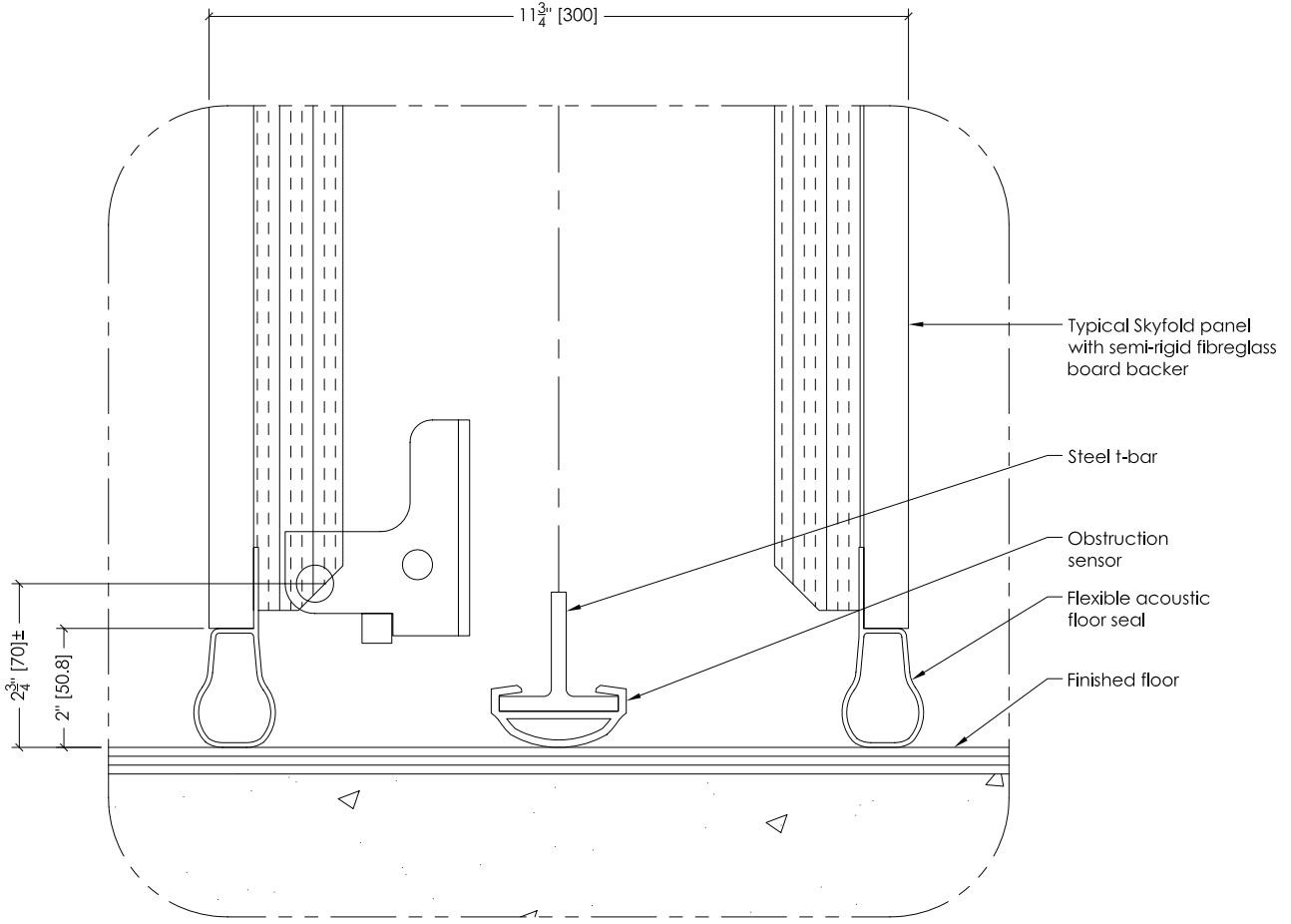
**PRELIMINARY:**  
 THIS DRAWING IS INTENDED AS A GUIDE. IN ALL CASES  
 SKYFOLD SHOP DRAWINGS SPECIFIC TO EACH PROJECT  
 ARE REQUIRED FOR FINAL BUILD-TO DIMENSIONS.



TYPICAL ODD SKYFOLD WALL  
 Standard drive unit

**END SEAL DETAIL**

drawing no. **S5312-5 R1** scale **N.T.S.**



**PRELIMINARY:**  
 THIS DRAWING IS INTENDED AS A GUIDE. IN ALL CASES  
 SKYFOLD SHOP DRAWINGS SPECIFIC TO EACH PROJECT  
 ARE REQUIRED FOR FINAL BUILD-TO DIMENSIONS.

**SKYFOLD**®  
*classic™ series*

TYPICAL ODD SKYFOLD WALL  
 Standard drive unit

**FLOOR SEAL DETAIL**

drawing no. scale  
**S5312-6 R1** N.T.S.