

**PRELIMINARY:**  
 THIS DRAWING IS INTENDED AS A GUIDE. IN ALL CASES SKYFOLD SHOP DRAWINGS SPECIFIC TO EACH PROJECT ARE REQUIRED FOR FINAL BUILD-TO DIMENSIONS.

**\*\*C-CHANNEL DESIGNATION:**  
 NORTH & SOUTH = C8 x 11.5 [C200 x 17]  
 AMERICA  
 EUROPE = C200 x 75  
 ASIA = C200 x 80

**NOTE:**  
 C-CHANNEL IS INSTALLED WITH FLANGES UP.

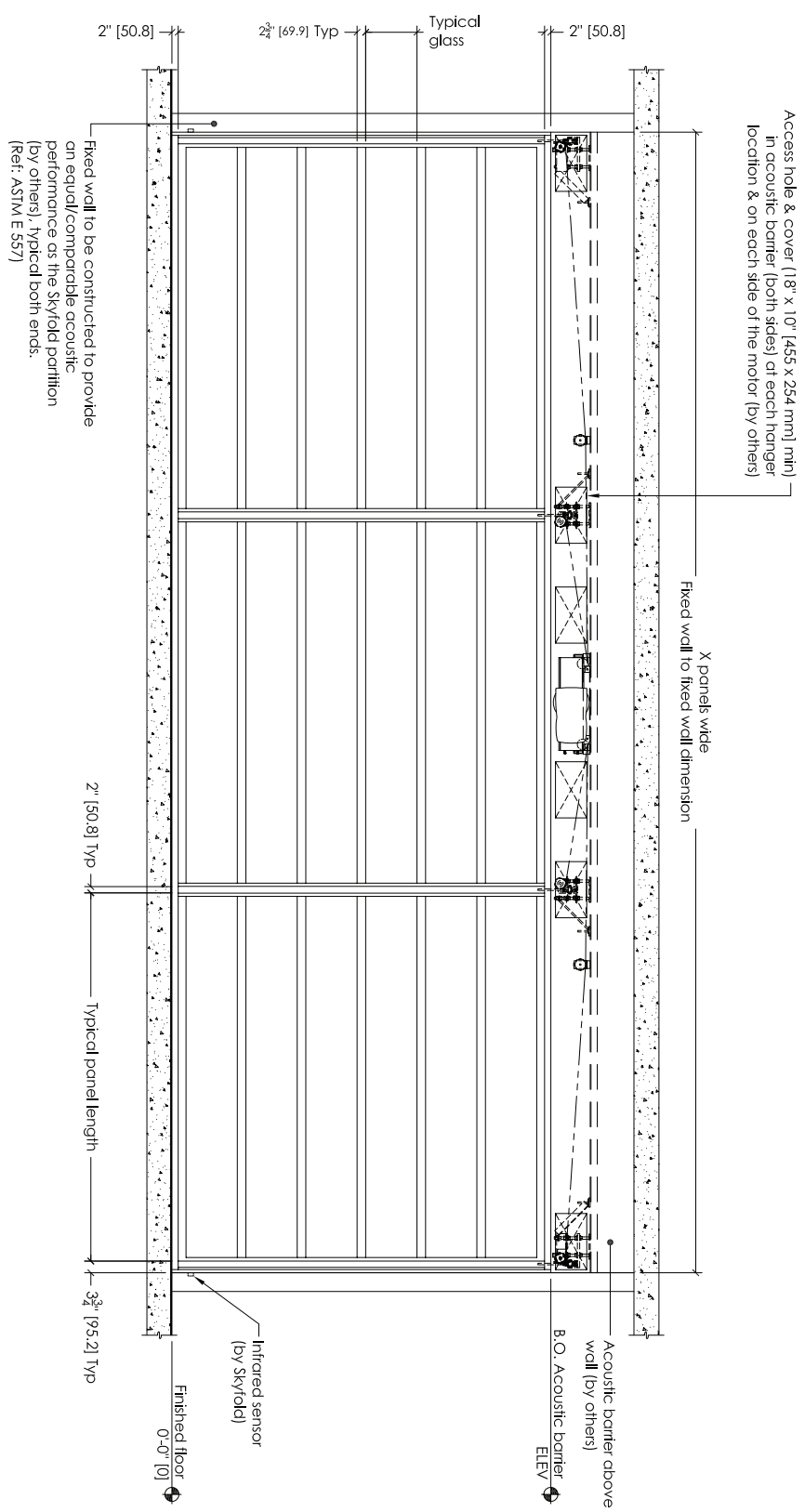
**SKYFOLD mirage®**

TYPICAL MIRAGE WALL  
 Standard drive unit

**PLAN**

SCALE  
 N.T.S.

© 2011 BALTTECH LTD.



**NOTE:**  
 FINISHED FLOOR +1/4" [+6] / -0 [-0] FROM FLAT LEVEL  
 FIXED WALL +1/4" [+6] / -0 [-0] FROM FLAT LEVEL


**NOTE: ALL SUPPORT STEEL IS BY OTHERS.**

**PRELIMINARY:**  
 THIS DRAWING IS INTENDED AS A GUIDE. IN ALL CASES SKYFOLD SHOP DRAWINGS SPECIFIC TO EACH PROJECT ARE REQUIRED FOR FINAL BUILD-TO DIMENSIONS.

**\*\*C-CHANNEL DESIGNATION:**

NORTH & SOUTH =	C8 X 11.5
AMERICA	[C200 X 17]
EUROPE =	C200 X 75
ASIA =	C200 X 80

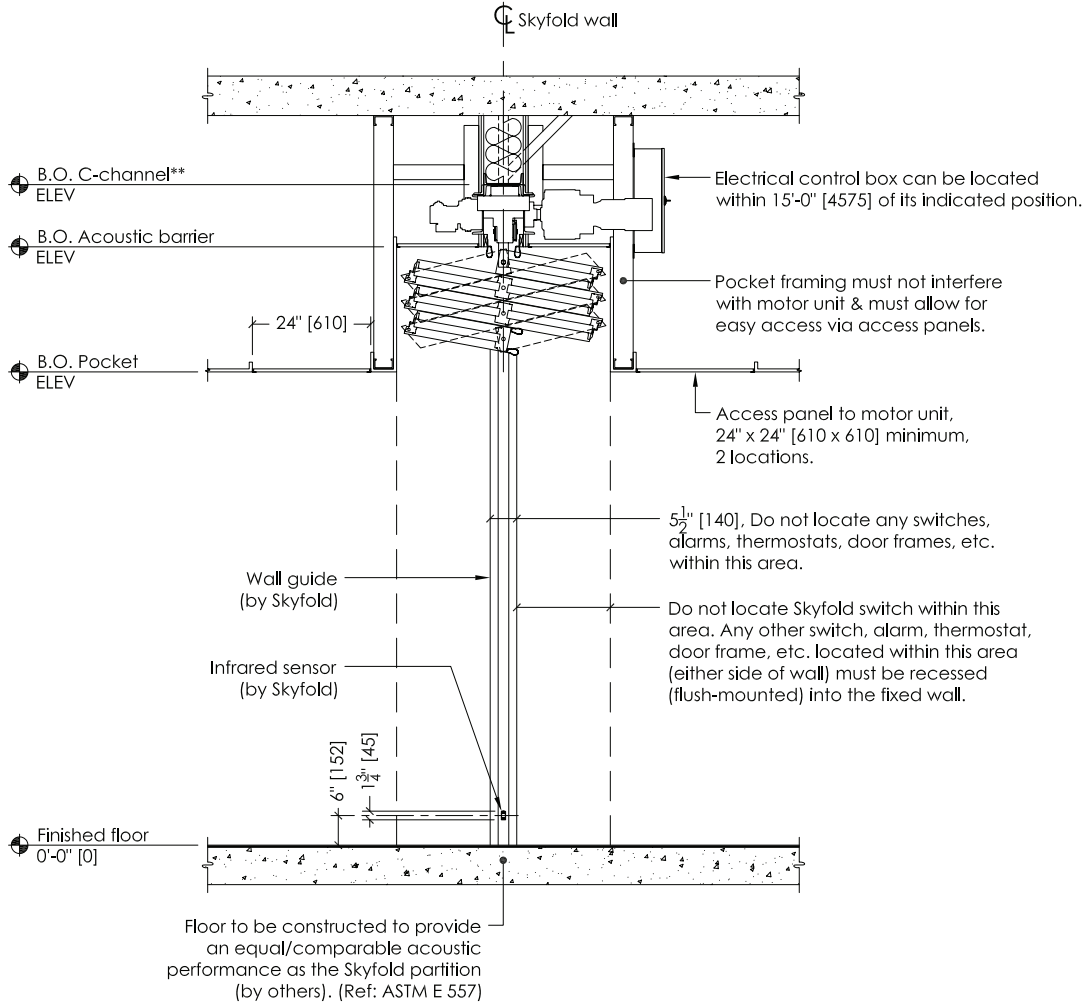
**NOTE:**  
 C-CHANNEL IS INSTALLED WITH FLANGES UP.




TYPICAL MIRAGE WALL  
 Standard drive unit

**ELEVATION**  
 55342-2 RO N.T.S.

Standard motor unit & ceiling supports to be attached to C-channel\*\* before construction of acoustic barrier & pocket.



**\*\*C-CHANNEL DESIGNATION:**

NORTH & SOUTH = C8 x 11.5  
 AMERICA [C200 x 17]  
 EUROPE = C200 x 75  
 ASIA = C200 x 80

NOTE:  
 C-CHANNEL IS INSTALLED WITH  
 FLANGES UP.



**NOTE: ALL SUPPORT STEEL IS BY OTHERS.**

**PRELIMINARY:**

THIS DRAWING IS INTENDED AS A GUIDE. IN ALL CASES SKYFOLD SHOP DRAWINGS SPECIFIC TO EACH PROJECT ARE REQUIRED FOR FINAL BUILD-TO DIMENSIONS.

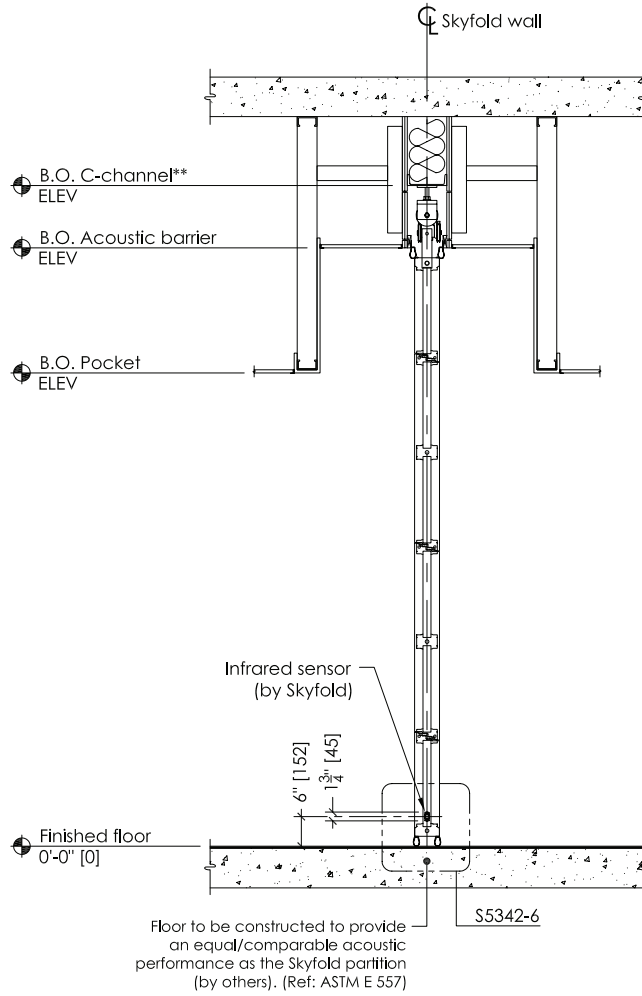


TYPICAL MIRAGE WALL  
 Standard drive unit

**SECTION: WALL UP**

drawing no. **S5342-3 RO** scale **N.T.S.**

Standard motor unit & ceiling supports to be attached to C-channel\*\* before construction of acoustic barrier & pocket.



**\*\*C-CHANNEL DESIGNATION:**

NORTH & SOUTH = C8 x 11.5  
 AMERICA [C200 x 17]  
 EUROPE = C200 x 75  
 ASIA = C200 x 80

NOTE:  
 C-CHANNEL IS INSTALLED WITH  
 FLANGES UP.



**NOTE: ALL SUPPORT STEEL IS BY OTHERS.**

**PRELIMINARY:**

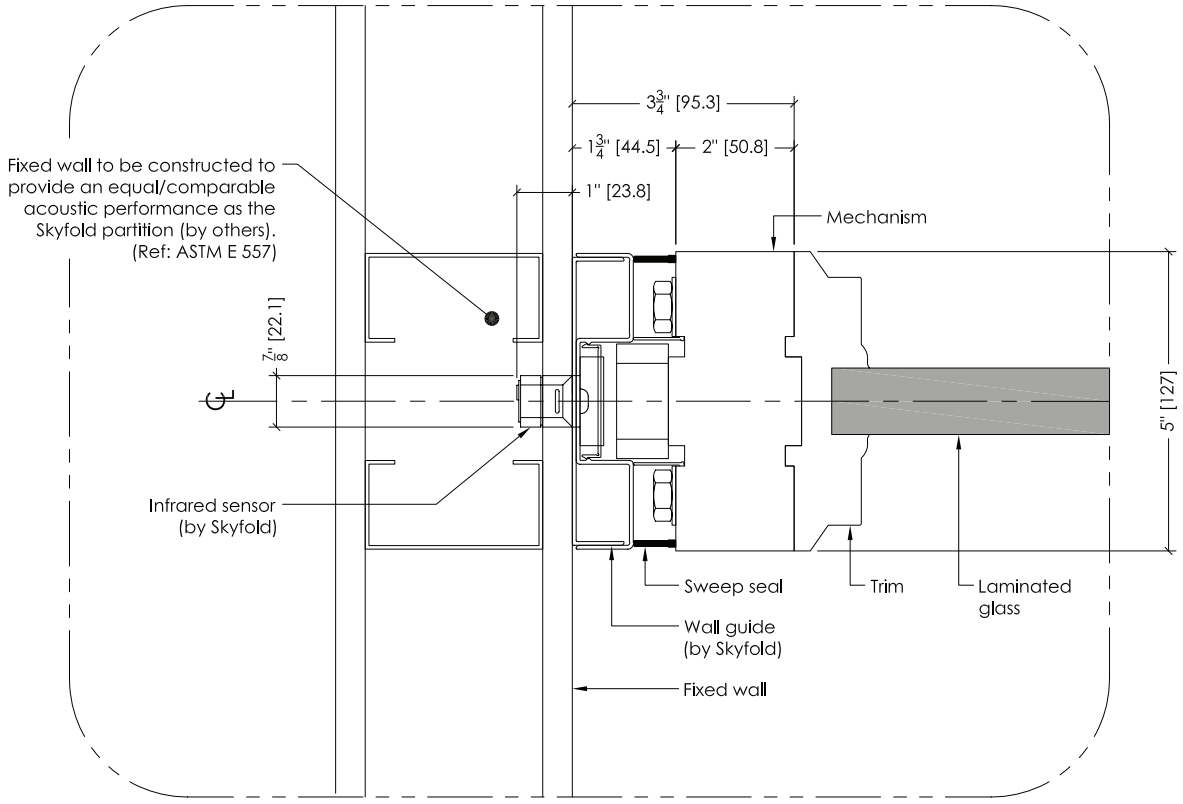
THIS DRAWING IS INTENDED AS A GUIDE. IN ALL CASES SKYFOLD SHOP DRAWINGS SPECIFIC TO EACH PROJECT ARE REQUIRED FOR FINAL BUILD-TO DIMENSIONS.



TYPICAL MIRAGE WALL  
 Standard drive unit

**SECTION: WALL DOWN**

drawing no. **S5342-4 RO** scale **N.T.S.**



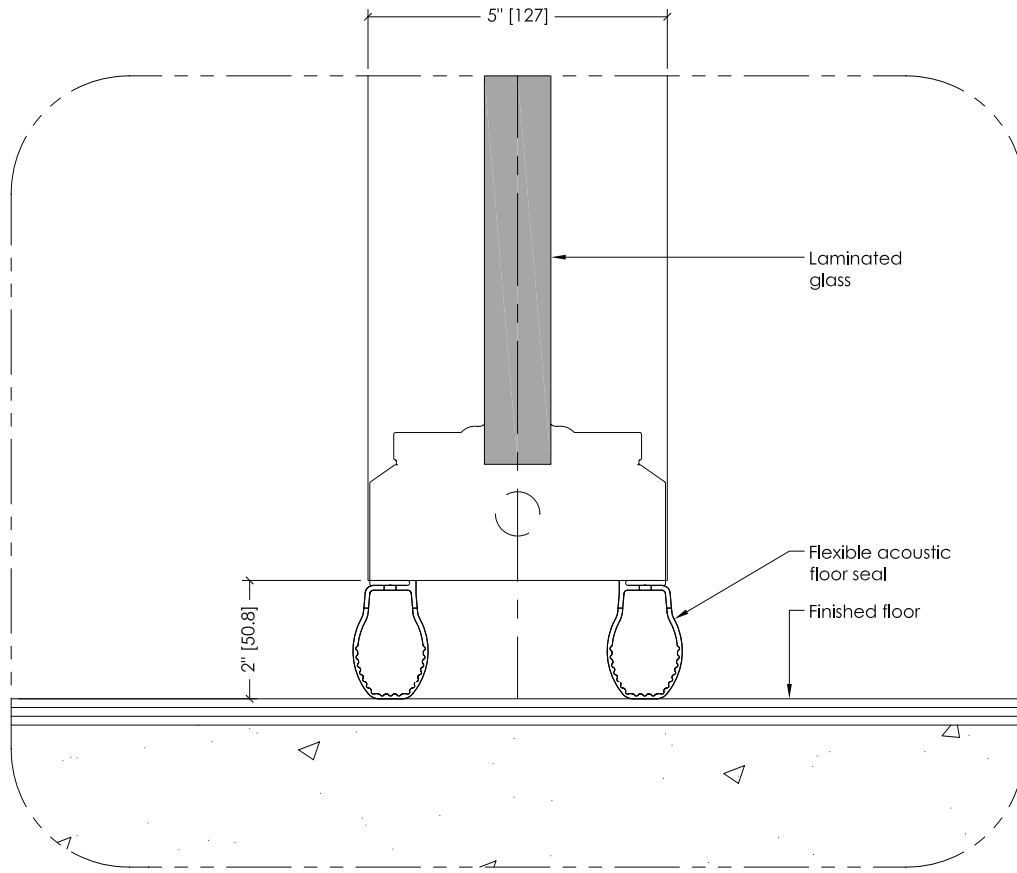
**PRELIMINARY:**  
 THIS DRAWING IS INTENDED AS A GUIDE. IN ALL CASES SKYFOLD SHOP DRAWINGS SPECIFIC TO EACH PROJECT ARE REQUIRED FOR FINAL BUILD-TO DIMENSIONS.



TYPICAL MIRAGE WALL  
 Standard drive unit

**END SEAL DETAIL**

drawing no. **S5342-5 RO** scale **N.T.S.**



**PRELIMINARY:**  
 THIS DRAWING IS INTENDED AS A GUIDE. IN ALL CASES  
 SKYFOLD SHOP DRAWINGS SPECIFIC TO EACH PROJECT  
 ARE REQUIRED FOR FINAL BUILD-TO DIMENSIONS.



TYPICAL MIRAGE WALL  
 Standard drive unit

**FLOOR SEAL DETAIL**

drawing no. **S5342-6 RO** scale **N.T.S.**