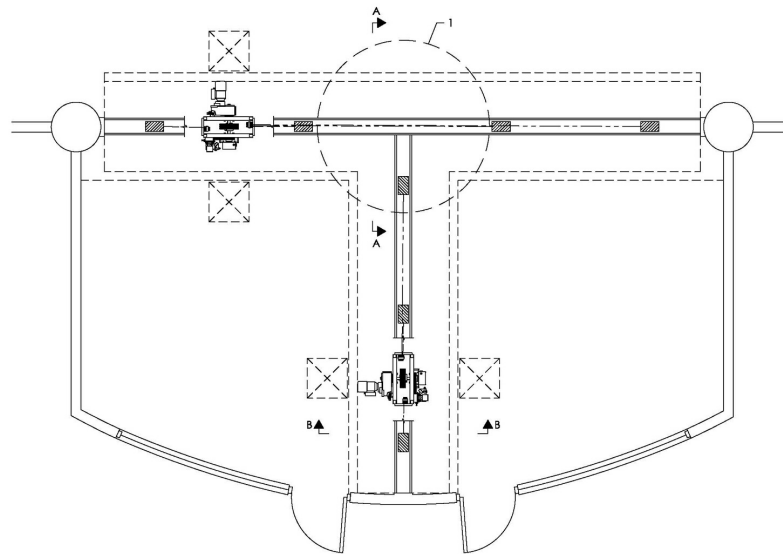


Skyfold Intersecting Walls

Skyfold® Solutions (except for the Zenith® Premium) can be designed and installed in a T-Configuration or 90° to each other.

Here's a drawing and a photo to give you a better idea:



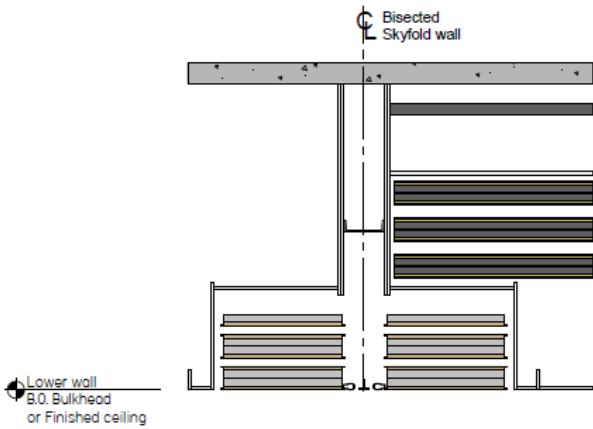
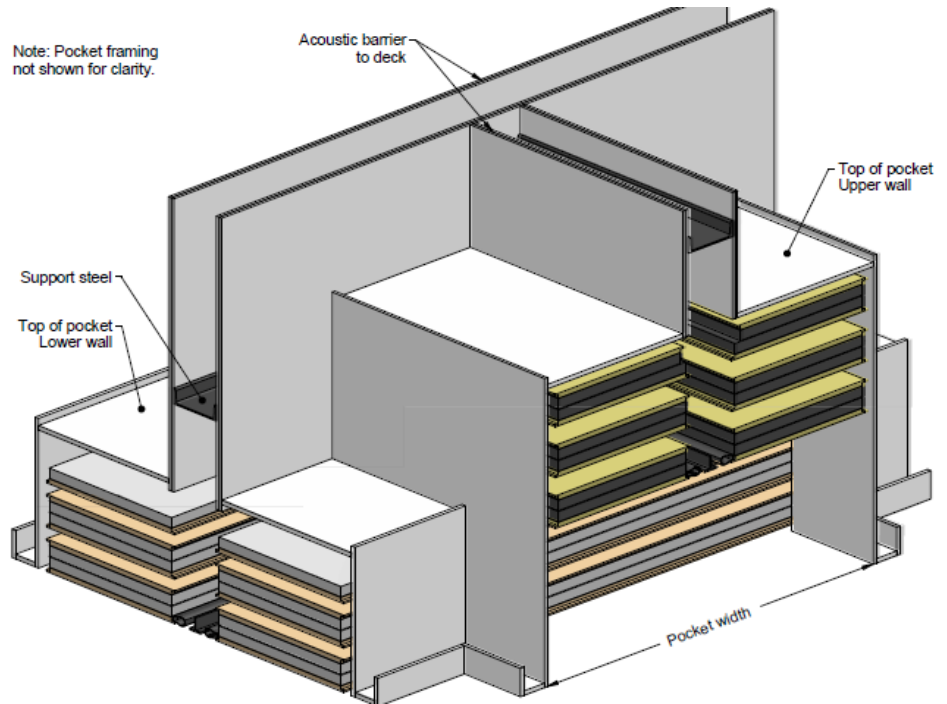
PLAN - T INTERSECTION



You can view more photos of intersecting Skyfold walls in our website's gallery.

Skyfold Intersecting Walls

Intersecting Walls Stacked in Ceiling Pocket

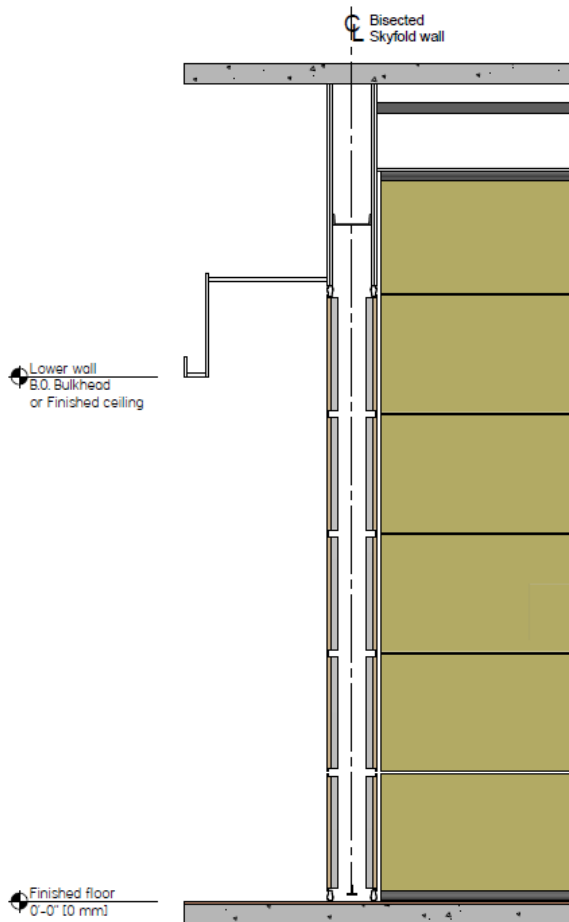
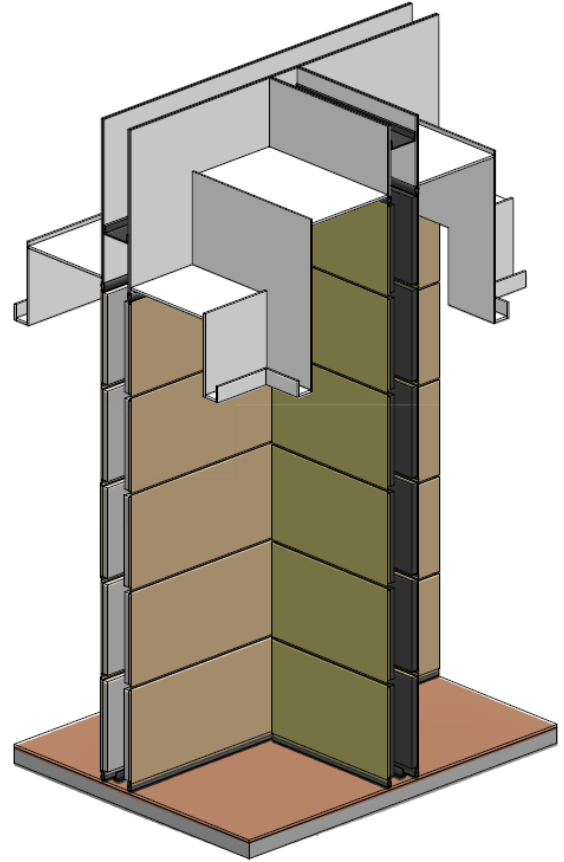


Side View of Intersecting Walls Stacked in the Ceiling



Skyfold Intersecting Walls

Stacked Walls Pocket Detail
(Walls in Down Position)



Side View Stacked Walls
Pocket Detail (Walls in
Down Position)