

LEGEND

-  KEY SWITCH CONTROL
-  CEILING SUPPORT & HANGER
-  CEILING ACCESS PANEL

NOTE: ALL SUPPORT STEEL IS BY OTHERS.

PRELIMINARY:
THIS DRAWING IS INTENDED AS A GUIDE. IN ALL CASES SKYFOLD SHOP DRAWINGS SPECIFIC TO EACH PROJECT ARE REQUIRED FOR FINAL BUILD-TO DIMENSIONS.

****SUPPORT STEEL:**

C-CHANNEL, FLANGES UP, IS THE RECOMMENDED STRUCTURAL ATTACHMENT. (C8X11.5, C200X75, C200X80, OR EQUIVALENT)

NOTE:
ALTERNATE ATTACHMENT STEEL IS POSSIBLE. MUST BE 6" [150 mm] MINIMUM. TO BE REVIEWED BY SKYFOLD.



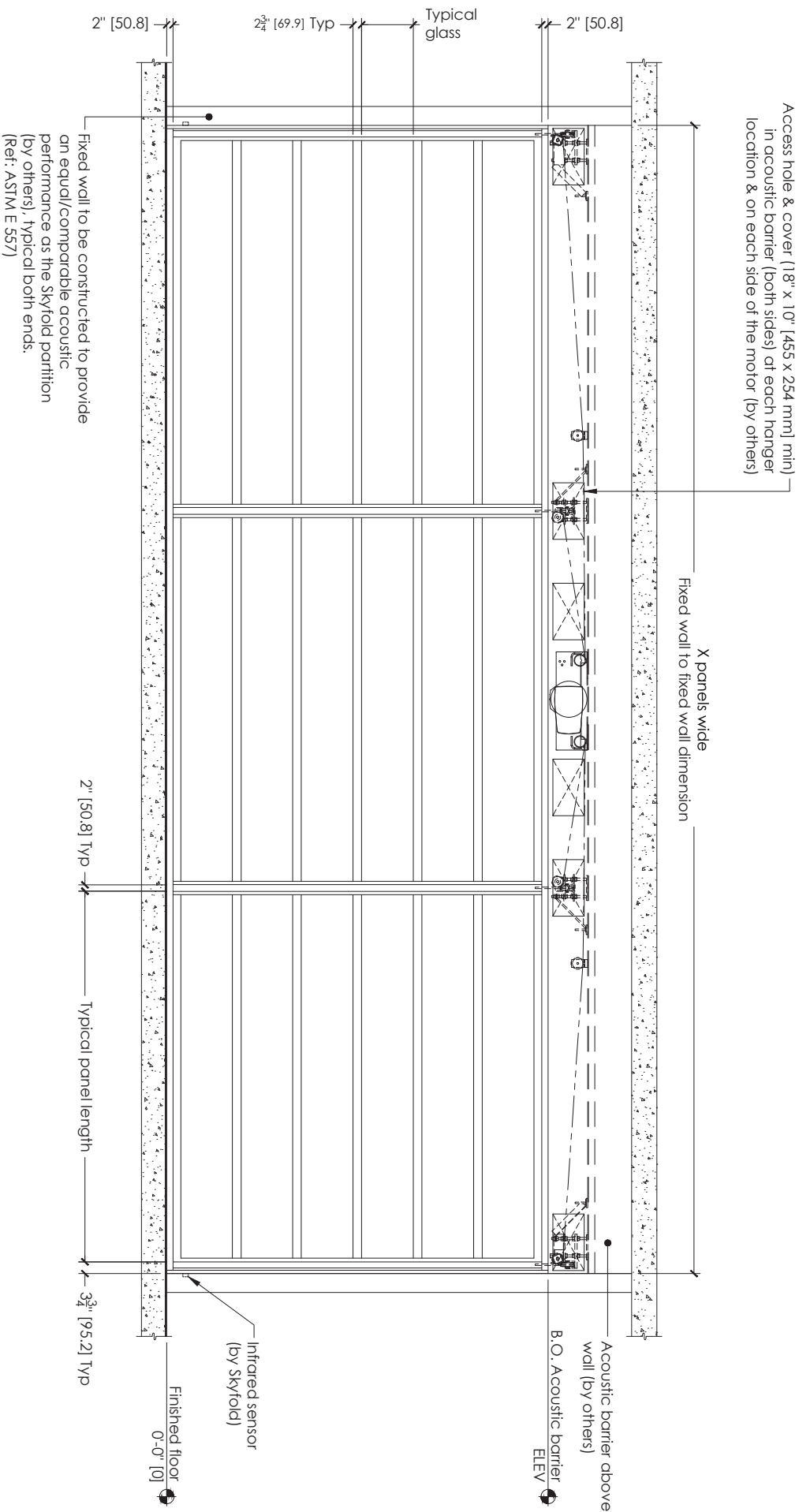
TYPICAL MIRAGE WALL
Standard drive unit

PLAN

drawing no. **S5342-1 R1**

scale **N.T.S.**

S5342-2



Access hole & cover (18" x 10" [455 x 254 mm] min) in acoustic barrier (both sides) at each hanger location & on each side of the motor (by others)

X panels wide
Fixed wall to fixed wall dimension

Acoustic barrier above wall (by others)
B.O. Acoustic barrier
ELEV

Infrared sensor (by Skyfold)

Finished floor 0'-0" [0]

Fixed wall to be constructed to provide an equal/comparable acoustic performance as the Skyfold partition (by others), typical both ends. (Ref: ASTM E 557)

NOTE:

FINISHED FLOOR +1/4" [+6] / -0 [-0] FROM FLAT LEVEL
FIXED WALL +1/4" [+6] / -0 [-0] FROM FLAT LEVEL

NOTE: ALL SUPPORT STEEL IS BY OTHERS.

PRELIMINARY:
THIS DRAWING IS INTENDED AS A GUIDE. IN ALL CASES SKYFOLD SHOP DRAWINGS SPECIFIC TO EACH PROJECT ARE REQUIRED FOR FINAL BUILD-TO DIMENSIONS.

**SUPPORT STEEL:

C-CHANNEL, FLANGES UP, IS THE RECOMMENDED STRUCTURAL ATTACHMENT. (C8X11.5, C200X75, C200X80, OR EQUIVALENT)

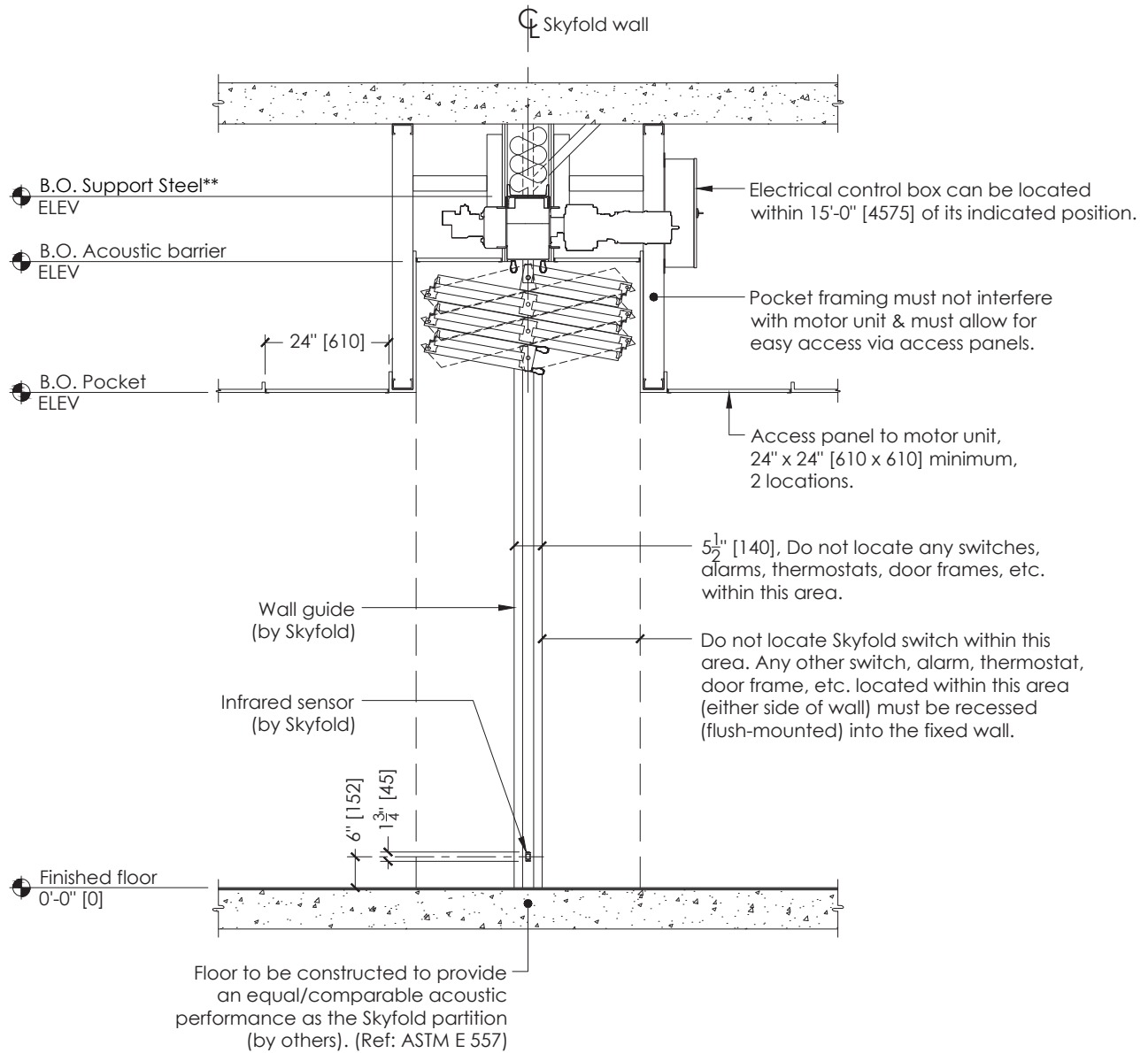
NOTE:
ALTERNATE ATTACHMENT STEEL IS POSSIBLE. MUST BE 6" [150 mm] MINIMUM, TO BE REVIEWED BY SKYFOLD.



TYPICAL MIRAGE WALL
Standard drive unit

ELEVATION

Standard motor unit & ceiling supports to be attached to Support Steel** before construction of acoustic barrier & pocket.



****SUPPORT STEEL:**

C-CHANNEL, FLANGES UP, IS THE RECOMMENDED STRUCTURAL ATTACHMENT. (C8X11.5, C200X75, C200X80, OR EQUIVALENT)

NOTE: ALTERNATE ATTACHMENT STEEL IS POSSIBLE. MUST BE 6" [150 mm] MINIMUM, TO BE REVIEWED BY SKYFOLD.

NOTE: ALL SUPPORT STEEL IS BY OTHERS.

PRELIMINARY:

THIS DRAWING IS INTENDED AS A GUIDE. IN ALL CASES SKYFOLD SHOP DRAWINGS SPECIFIC TO EACH PROJECT ARE REQUIRED FOR FINAL BUILD-TO DIMENSIONS.

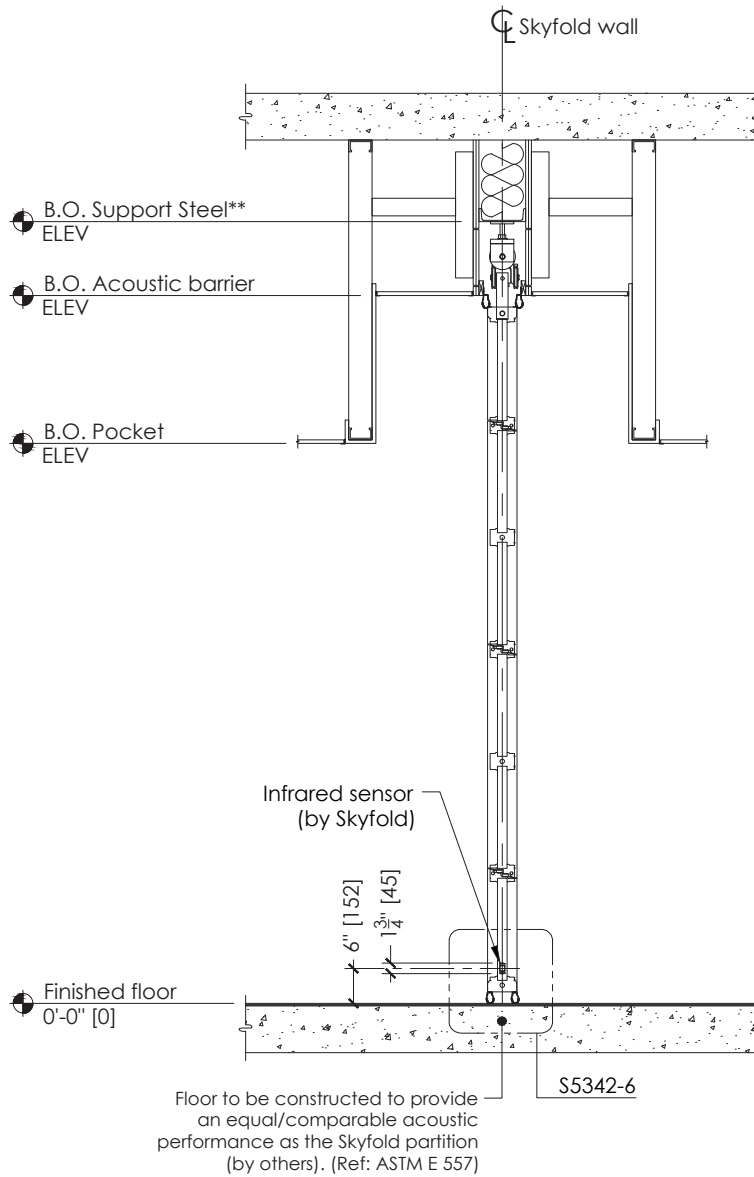


TYPICAL MIRAGE WALL
Standard drive unit

SECTION: WALL UP

drawing no. **S5342-3 R1** scale **N.T.S.**

Standard motor unit & ceiling supports to be attached to Support Steel** before construction of acoustic barrier & pocket.



****SUPPORT STEEL:**

C-CHANNEL, FLANGES UP, IS THE RECOMMENDED STRUCTURAL ATTACHMENT. (C8X11.5, C200X75, C200X80, OR EQUIVALENT)

NOTE:
ALTERNATE ATTACHMENT STEEL IS POSSIBLE. MUST BE 6" [150 mm] MINIMUM, TO BE REVIEWED BY SKYFOLD.

NOTE: ALL SUPPORT STEEL IS BY OTHERS.

PRELIMINARY:

THIS DRAWING IS INTENDED AS A GUIDE. IN ALL CASES SKYFOLD SHOP DRAWINGS SPECIFIC TO EACH PROJECT ARE REQUIRED FOR FINAL BUILD-TO DIMENSIONS.

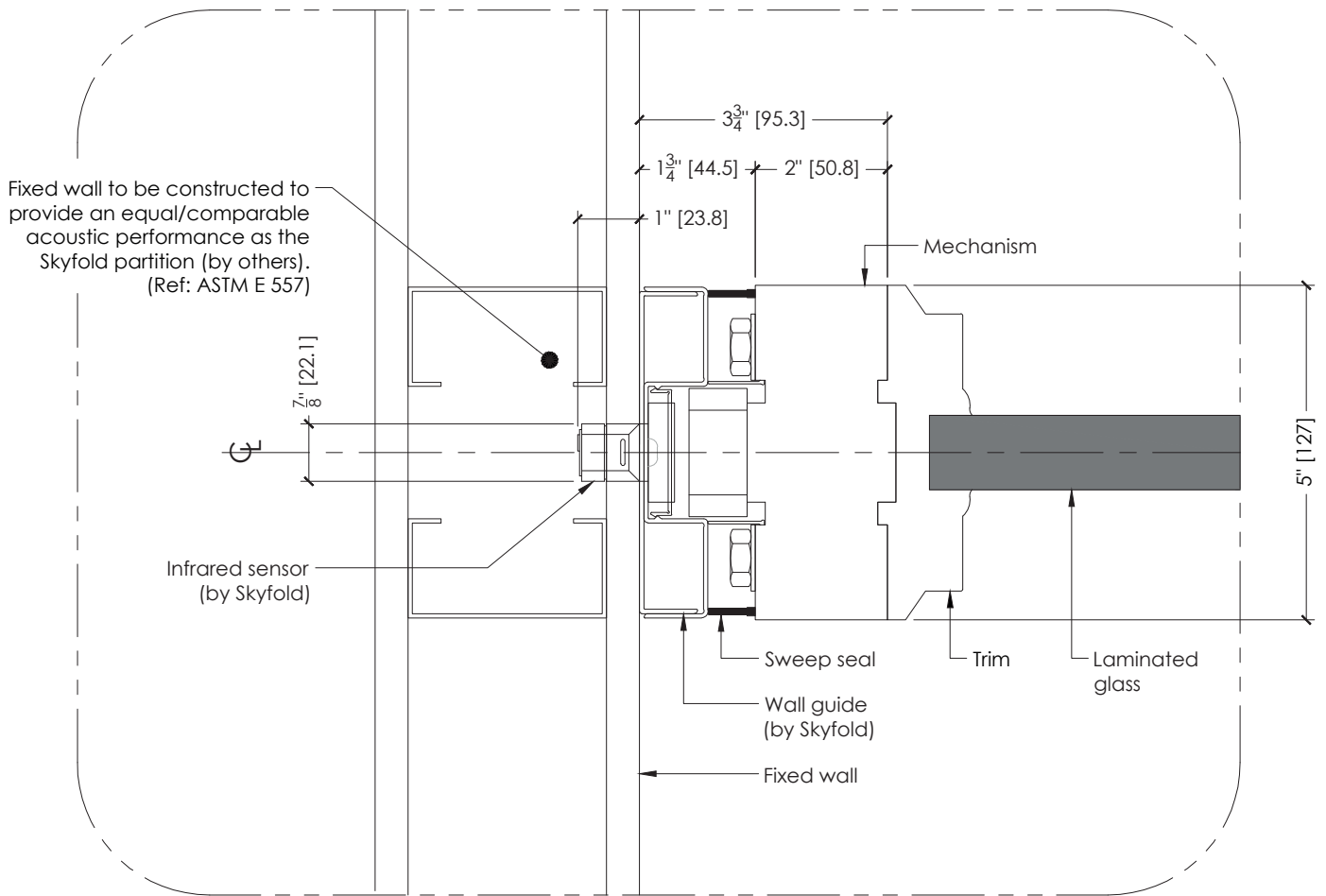


TYPICAL MIRAGE WALL
Standard drive unit

SECTION: WALL DOWN

drawing no. scale

S5342-4 R1 N.T.S.



PRELIMINARY:

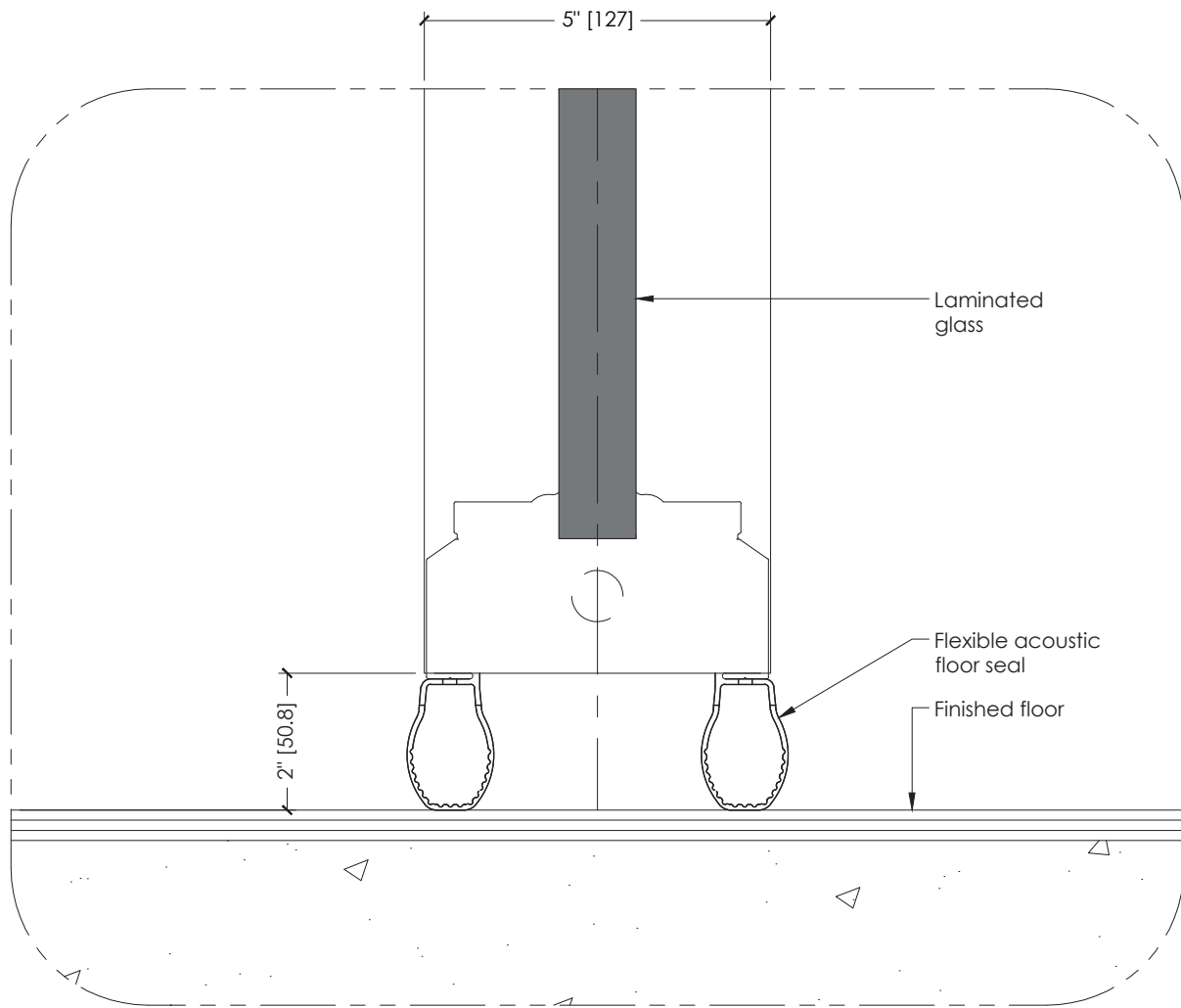
THIS DRAWING IS INTENDED AS A GUIDE. IN ALL CASES SKYFOLD SHOP DRAWINGS SPECIFIC TO EACH PROJECT ARE REQUIRED FOR FINAL BUILD-TO DIMENSIONS.



TYPICAL MIRAGE WALL
Standard drive unit

END SEAL DETAIL

drawing no. **S5342-5 R1** scale **N.T.S.**



PRELIMINARY:

THIS DRAWING IS INTENDED AS A GUIDE. IN ALL CASES SKYFOLD SHOP DRAWINGS SPECIFIC TO EACH PROJECT ARE REQUIRED FOR FINAL BUILD-TO DIMENSIONS.



TYPICAL MIRAGE WALL
Standard drive unit

FLOOR SEAL DETAIL

drawing no. **S5342-6 R1** scale **N.T.S.**