

NOTES TO G.C.

1. Gives special attention to:
 - Any obstructions to ceiling pockets & cables (i.e. ducts, sprinkler pipes, drain pipes, electrical conduits, catwalk, structure, etc.),
 - Tolerances of fixed walls & finished floor,
 - Removable ceiling tile for top of pocket.
 - Accessibility for scissor lift & other equipment.
2. Support steel (I-Beam, C-Channel, steel plates, or other) to be supplied, designed & installed **by others**. Support steel type to be approved by Skyfold.

Support steel above the wall along its axis must be parallel to the floor within 1/2" [13] for the entire length of the wall (this includes loaded deflection). Larger deflection must be communicated to Skyfold as it affects support steel height & floor seal height.

The floor underneath the wall along its axis must be flat to within 1/4" [6] over the entire length of the wall. A peak to valley undulation of ± 1/4" [6] must not be closer together than 24" [610]. A peak to valley undulation of ± 1/8" [3] must not be closer together than 12" [305].
3. Attachment details of Support steel to structure to be designed **by others** & must not interfere with Skyfold hangers or motor unit or lifting cables.
4. Structural steel support & bracing must not interfere with motor mounts or ceiling supports.
5. Sprayed-on fireproofing (mineral wool & cement) is not recommended for use on the steel support to which Skyfold is attached. An intumescent coating or film is preferred. Local building codes must be respected. Fireproofing is **by others**.

6. Approximate weight of wall: XXXX lbs. [XXXX kg]
Maximum weight per hanger: XXX lbs. [XXX kg]
7. Maximum cable tension: XXX lbs. [XXX N]
(ONE cable per hanger)
8. Specified electrical: 208 VAC ±10%*, 3φ, 60 Hz.

* DAMAGE MAY OCCUR TO THE SYSTEM IF THE VOLTAGE IS OUTSIDE OF THIS RANGE.

POWER MUST BE AVAILABLE AT TIME OF INSTALLATION.

THE ELECTRICAL CONTROL BOX IS TO BE MOUNTED BY THE ELECTRICAL CONTRACTOR.
9. 15 volt touchscreens & boxes to be installed by electrical contractor as per Skyfold instructions. Boxes to be fitted at desired touchscreen location with suitable cable run back through ceiling void to control box position (5 wires Ø 1.02), including sufficient spare to allow connection. Touchscreens and boxes are supplied by Skyfold & are required on each side of the wall.
10. Motor size:

Motor size and full load amp: Varies - Project Specific

Motor unit weight is offset from wall centerline, see 1/5.
11. Skyfold requires two 24" x 24" [610x610] (minimum) access panels (**by others**) in acoustic ceiling directly beside motor for installation & maintenance of system. Not required if finished ceiling is suspended ceiling tiles.
12. Drive unit to be installed prior to construction of acoustic barrier & pocket. Pockets greater than 3' deep (from bottom to top of pocket) must be built after the Skyfold wall is installed. Ceiling & pocket must not interfere with access to the Skyfold wall via scissor lift and/or other equipment. All pocket construction (gypsum, suspended ceiling tile, framing, etc.) is **by others**.

13. Acoustic performance

Skyfold Zenith Premium 51

North America: STC: 51, as per ASTM E90

Europe: RW: 51, as per ISO 140-3, Part 3 & ISO 717-1.2,

Skyfold Zenith Premium 55

North America: STC: 55, as per ASTM E90

Europe: RW: 54, as per ISO 140-3, Part 3 & ISO 717-1.2,

Skyfold Zenith Premium 60

North America: STC: 60, as per ASTM E90

Europe: RW: 59, as per ISO 140-3, Part 3 & ISO 717-1.2,

Skyfold Zenith Premium NRC

North America: STC: 50, as per ASTM E90
NRC: 0.65 as per C423

Europe: RW: 51, as per ISO 140-3, Part 3 & ISO 717-1.2,
SAC: 0.65 as per ISO 354
14. Panel finish: XXXXXXXXXXXXXXXXXXXXXXXXXXXXXXXX

Perimeter seal colour: Unless noted otherwise, **Black** seals are supplied (white is optional).
15. Do not scale from this drawing. All dimensions must be verified on site.
16. Dimensions in [] are in millimeters (mm) unless otherwise noted.

PRELIMINARY:
THIS DRAWING IS INTENDED AS A GUIDE,
NOT FOR BUILDING PURPOSES.



Project _____

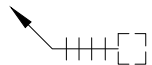

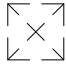
TYPICAL ODD SKYFOLD
ZENITH PREMIUM WALL

Drawing title _____

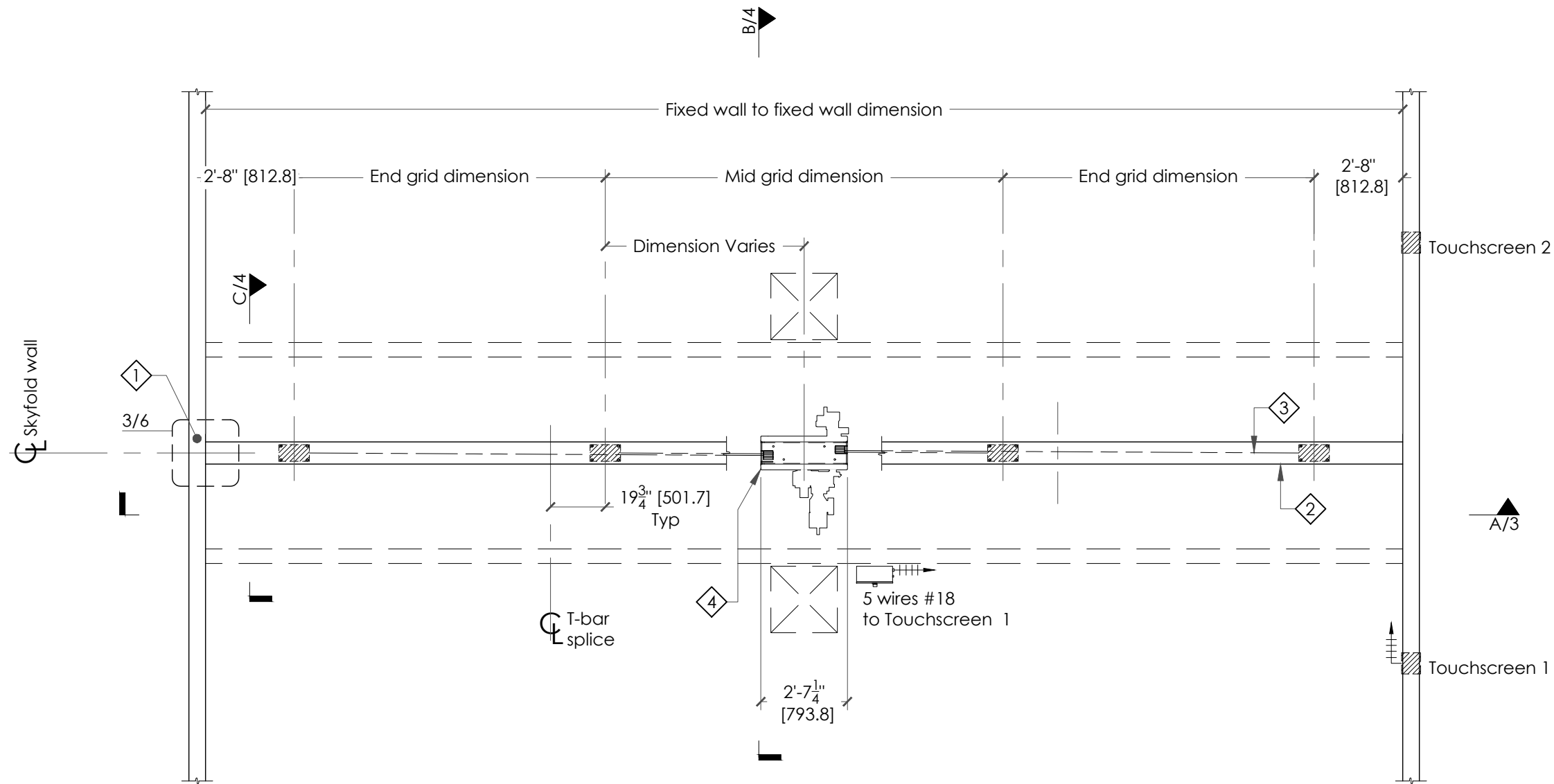
X@ X'-X" [XXXX] x X'-X" [XXXX] B.O. Pocket
Standard drive unit - 4+1 & 6+1 panels high

NOTES TO G.C.	
Date _____	Scale _____
Skyfold project No./Drawing No. _____	Quote Revision _____
SKY-XXXX _____	0 _____
Sheet No. _____	Revision _____
1 of 8	PRELIM

LEGEND

-  Touchscreen control
-  Ceiling support & hanger
-  Ceiling access panel

- ① Fixed wall to be constructed to provide an equal/comparable acoustic performance as the Skyfold partition (**by others**), typical both ends. (Ref: ASTM E 557)
- ② Continuous Support steel (**by others**), subject to structural approval.
- ③ Ø 3/16", 6x31 A/C cables. Lift cable paths must be clear of all mechanical obstructions.
- ④ Drive unit attached to Support steel before construction of acoustic barrier & pocket. Motor unit weight is offset from wall centerline, see 1/5 (weight= XXX lbs [XXX kg] ±).



PRELIMINARY:
THIS DRAWING IS INTENDED AS A GUIDE,
NOT FOR BUILDING PURPOSES.



Project

TYPICAL ODD SKYFOLD
ZENITH PREMIUM WALL

Drawing title

X@ X'-X" [XXXX] x X'-X" [XXXX] B.O. Pocket
Standard drive unit - 4+1 & 6+1 panels high

PLAN

Date _____ Scale _____

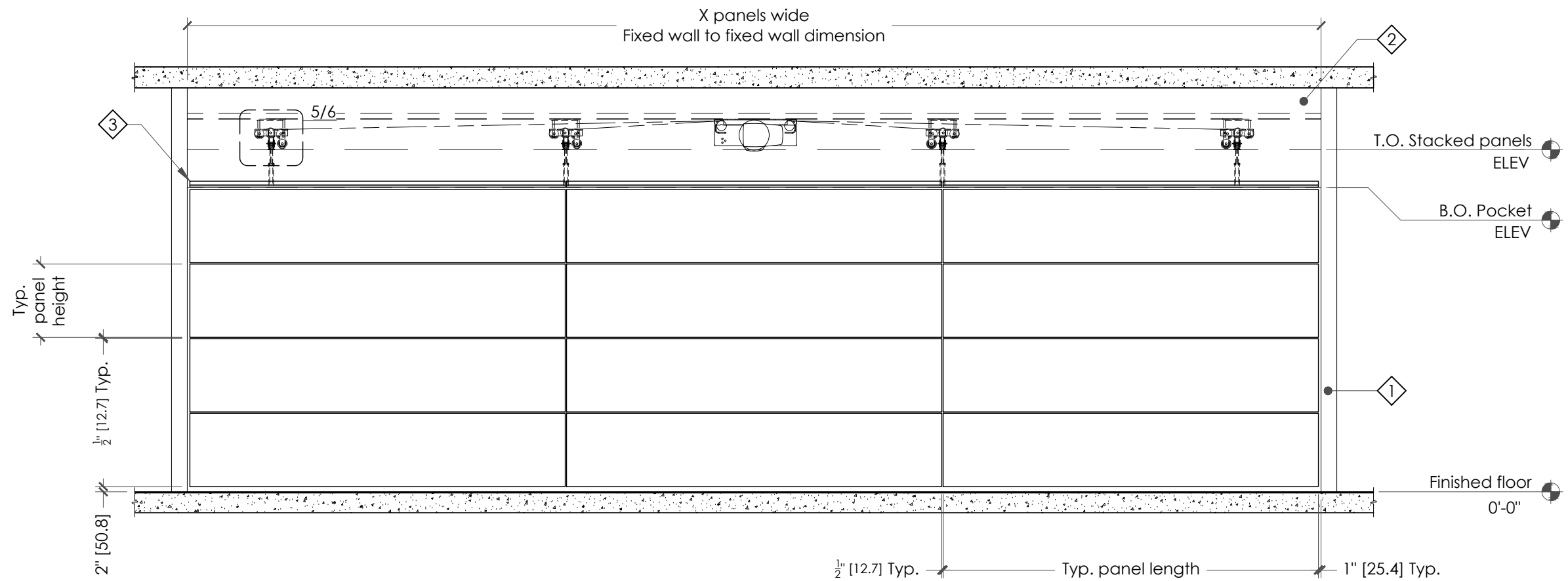
1/4" = 1'-0"

Skyfold project No./Drawing No. _____ Quote Revision _____

SKY-XXXX _____ 0

Sheet No. _____ Revision _____

2 of 8 PRELIM



PRELIMINARY:
THIS DRAWING IS INTENDED AS A GUIDE,
NOT FOR BUILDING PURPOSES.



NOTE: FINISHED FLOOR $\pm 1/4"$ [6] FROM FLAT LEVEL FIXED WALL + $1/4"$ [6] / -0 [0] FROM FLAT VERTICAL

Project
TYPICAL ODD SKYFOLD
ZENITH PREMIUM WALL

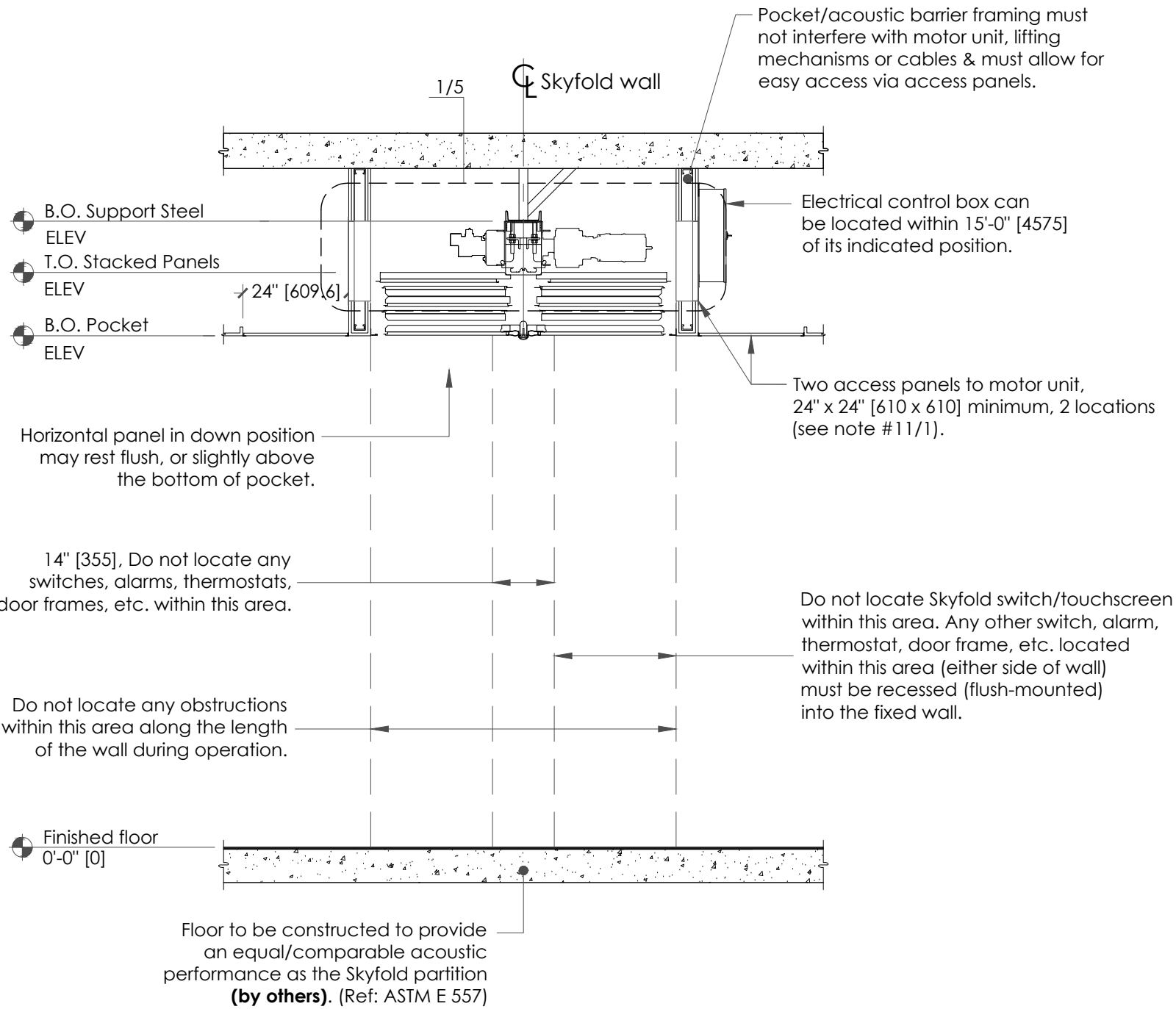
- 1 Fixed wall to be constructed to provide an equal/comparable acoustic performance as the Skyfold partition **(by others)**, typical both ends. (Ref: ASTM E 557)
- 2 Acoustic barrier above wall **(by others)**
- 3 Horizontal closure panel.

Drawing title
X @ X'-X" [XXXX] x X'-X" [XXXX] B.O. Pocket Standard drive unit - 4+1 & 6+1 panels high

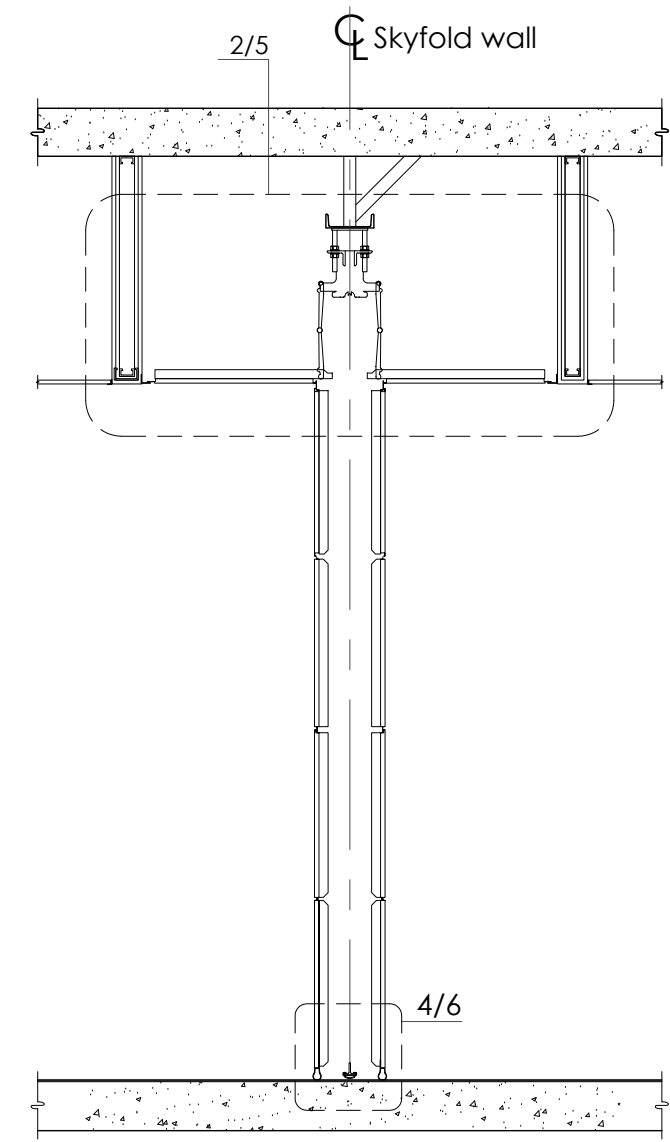
A: ELEVATION - WALL DOWN

Date: 02.08.18
Skyfold project No./Drawing No.: SKY-XXXX
Scale: 1/4" = 1'-0"
Quote Revision: 0

Panel finish: Please see quote for panel finish.
Perimeter seal colour: Unless noted otherwise, **Black** seals are supplied (white is optional).



B | SECTION - WALL UP
2 |



C | SECTION - WALL DOWN
2 |

PRELIMINARY:
THIS DRAWING IS INTENDED AS A GUIDE,
NOT FOR BUILDING PURPOSES.



Project

TYPICAL ODD SKYFOLD
ZENITH PREMIUM WALL

Drawing title

X @ X'-X" [XXXX] x X'-X" [XXXX] B.O. Pocket
Standard drive unit - 4+1 & 6+1 panels high

B & C: WALL SECTIONS

Date _____ Scale _____

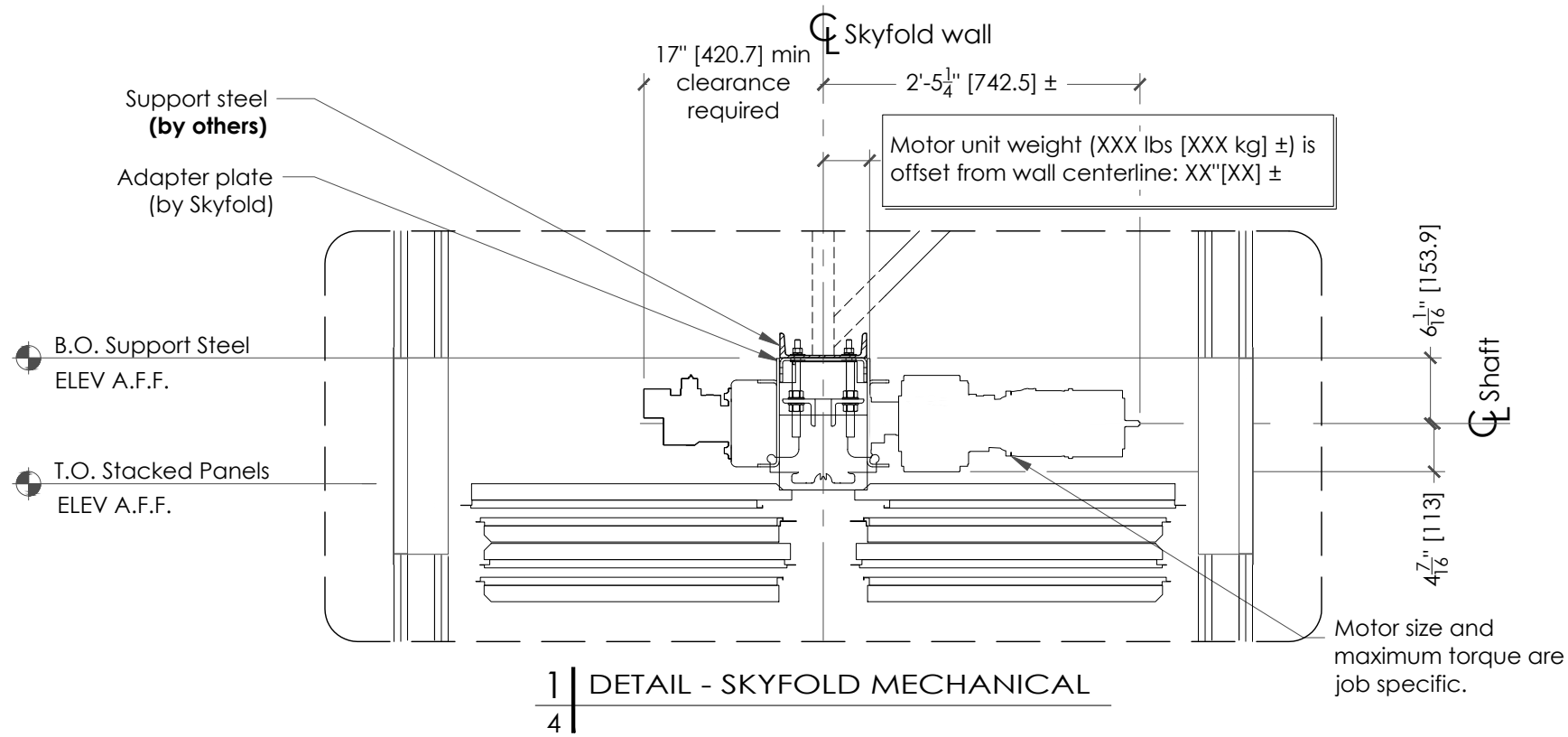
3/8" = 1'-0"

Skyfold project No./Drawing No. _____ Quote Revision _____

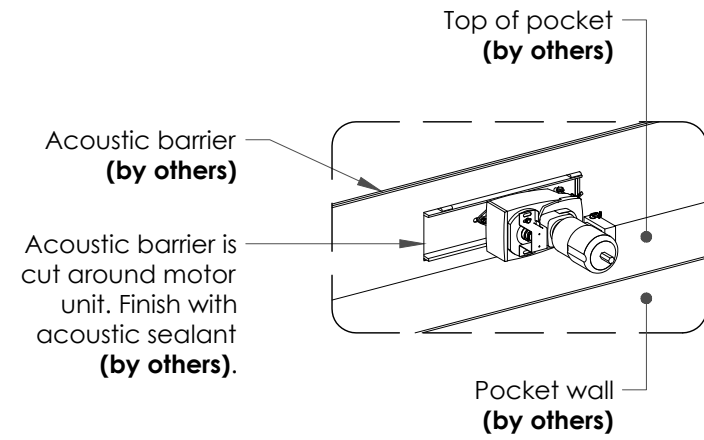
SKY-XXXX _____ 0 _____

Sheet No. _____ Revision _____

4 of 8 PRELIM

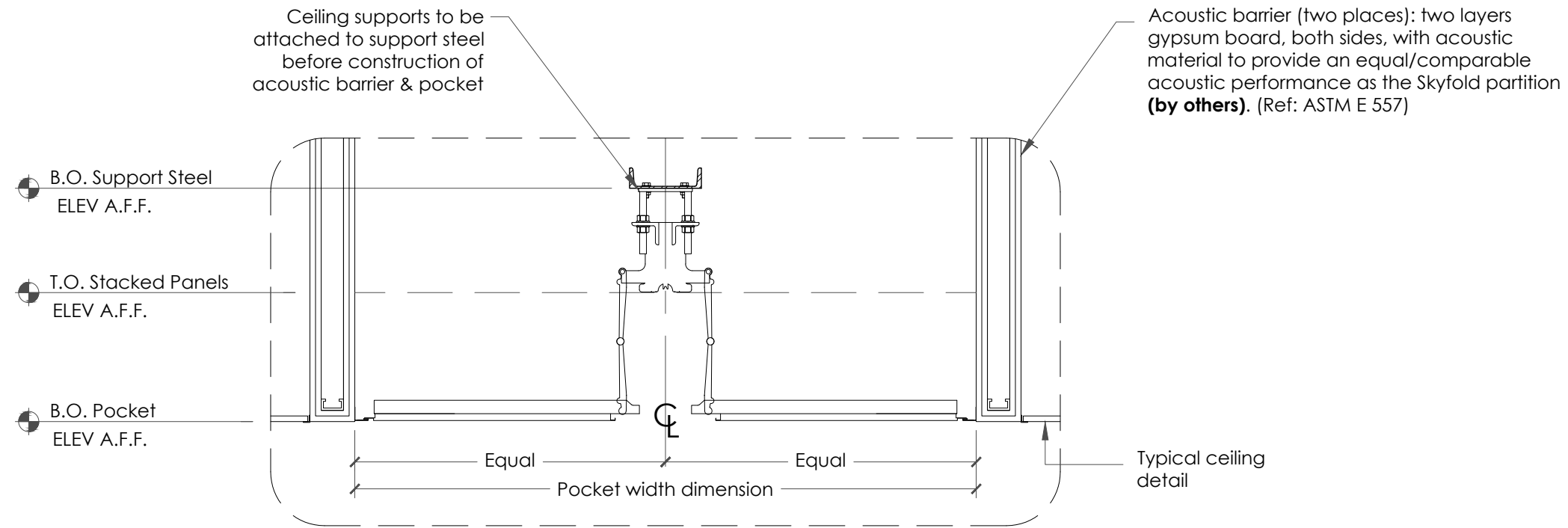


1 | **DETAIL - SKYFOLD MECHANICAL**
4



DETAIL - MOTOR @ ACOUSTIC BARRIER
SCALE: NONE

PRELIMINARY:
THIS DRAWING IS INTENDED AS A GUIDE,
NOT FOR BUILDING PURPOSES.



2 | **POCKET DETAIL**
4



Project

TYPICAL ODD SKYFOLD
ZENITH PREMIUM WALL

Drawing title

X@ X'-X" [XXXX] x X'-X" [XXXX] B.O. Pocket
Standard drive unit - 4+1 & 6+1 panels high

DETAILS

Date

Scale

3/4" = 1'-0"

Skyfold project No./Drawing No.

Quote Revision

SKY-XXXX

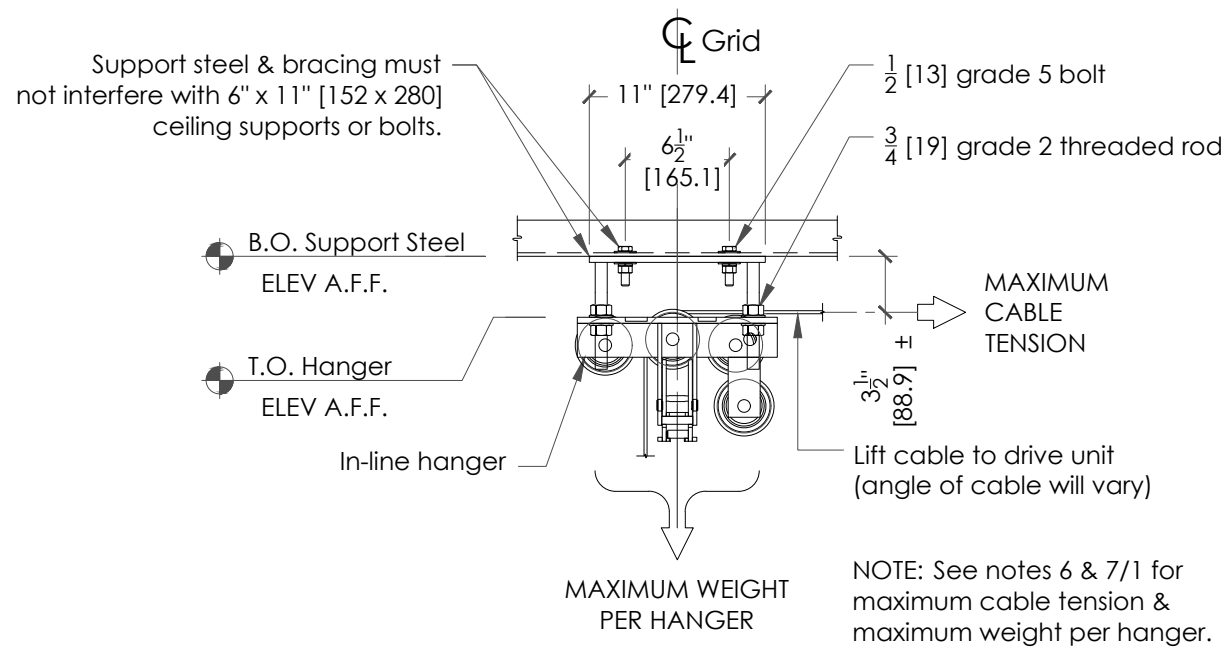
0

Sheet No.

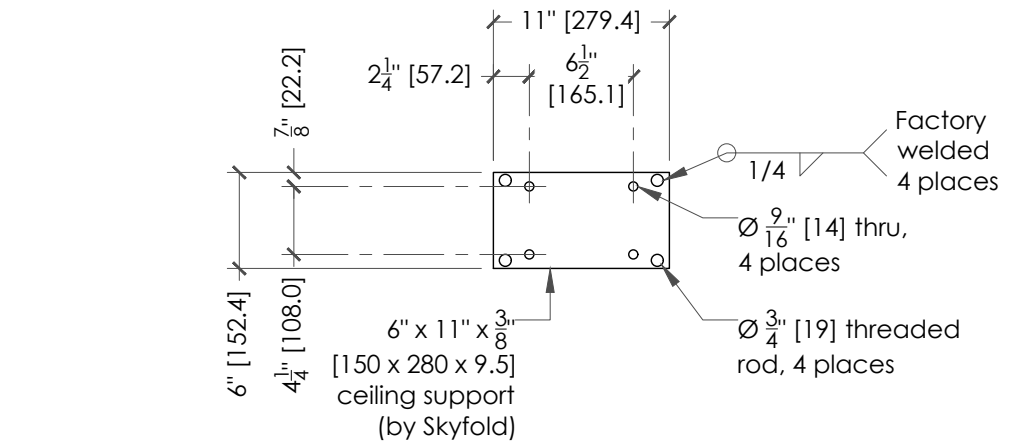
Revision

5 of 8

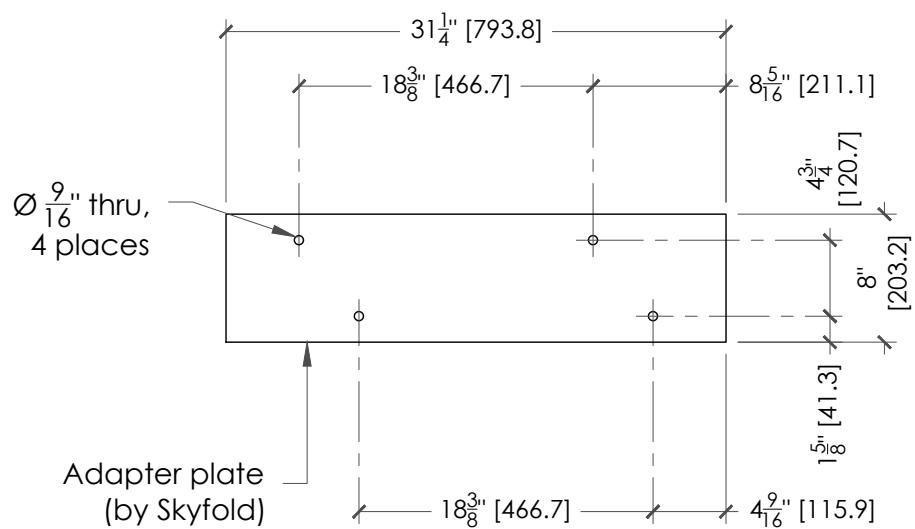
PRELIM



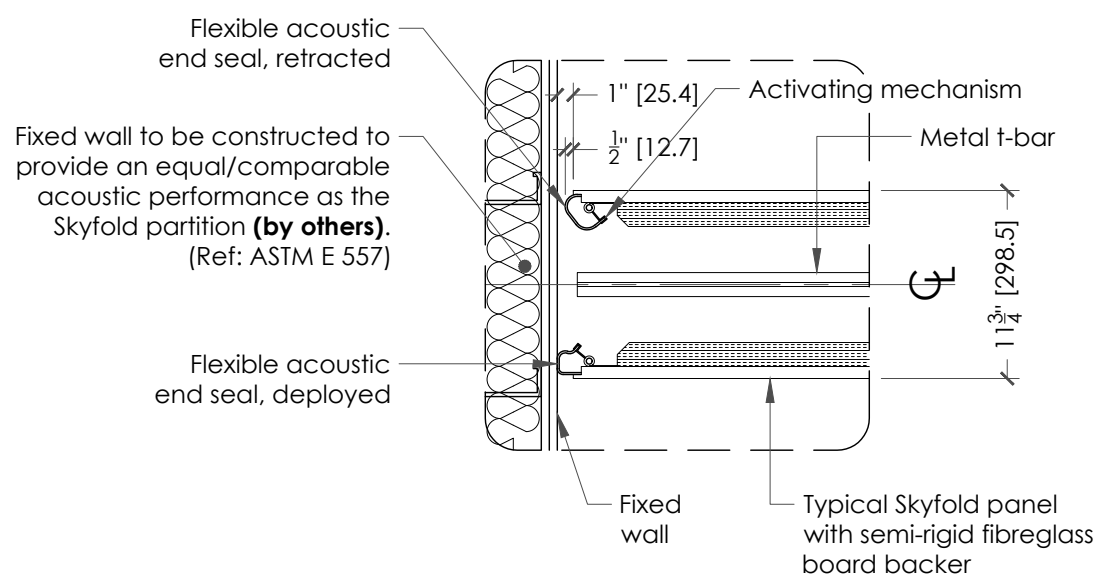
5 | DETAIL - LOADS @ HANGERS
3



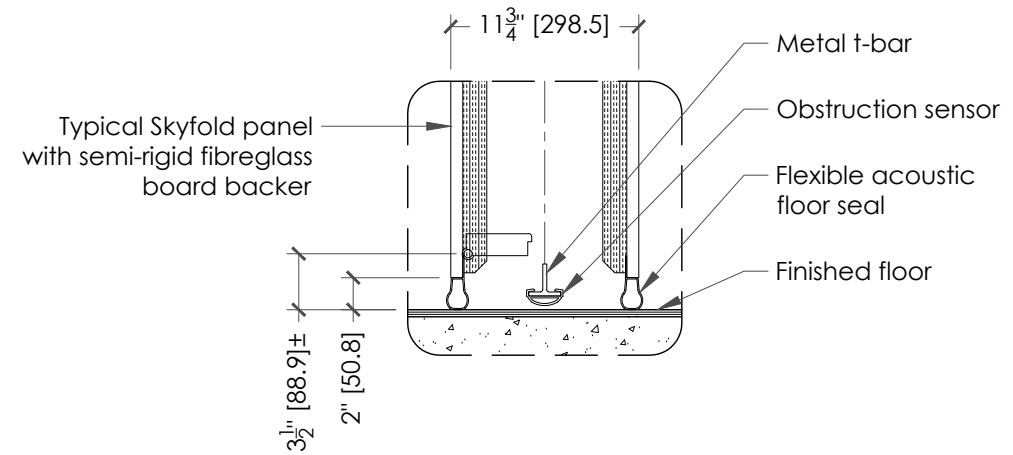
CEILING SUPPORT PLAN DETAIL



ADAPTER PLATE PLAN DETAIL



3 | END SEAL DETAIL
2



4 | FLOOR SEAL DETAIL
4

PRELIMINARY:
THIS DRAWING IS INTENDED AS A GUIDE,
NOT FOR BUILDING PURPOSES.



Project _____

TYPICAL ODD SKYFOLD
ZENITH PREMIUM WALL

Drawing title _____

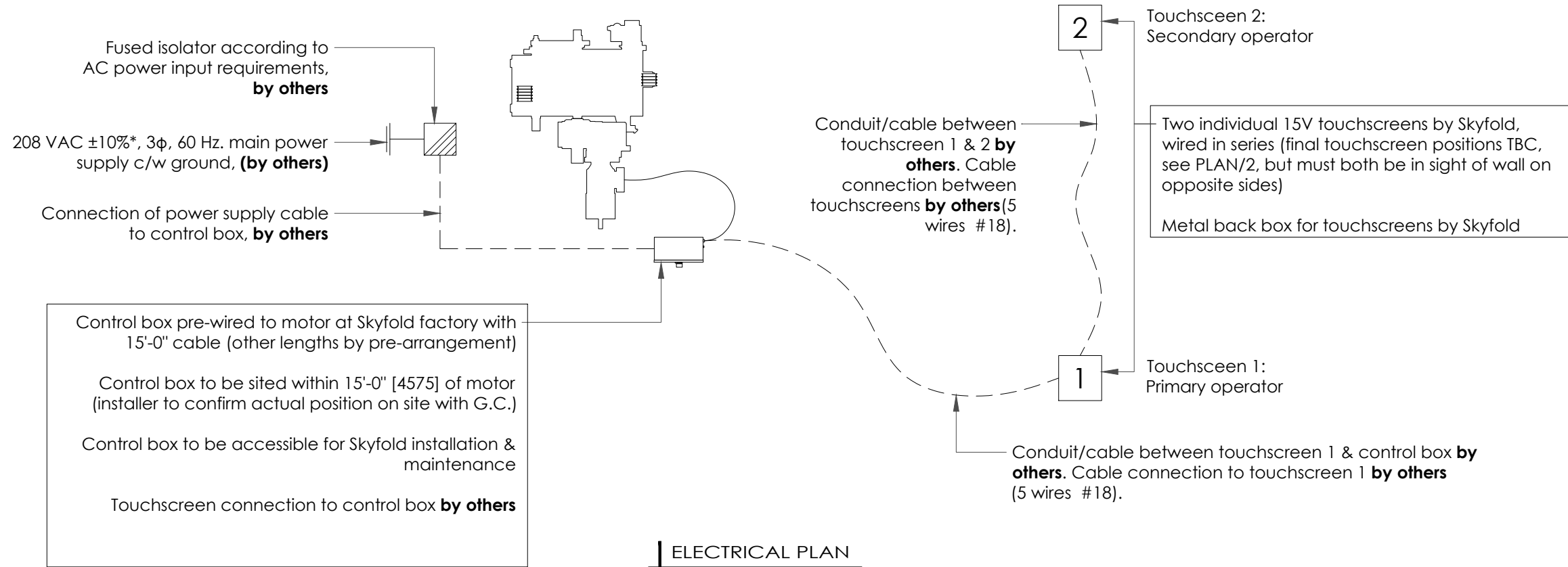
X@ X'-X" [XXXX] x X'-X" [XXXX] B.O. Pocket
Standard drive unit - 4+1 & 6+1 panels high

DETAILS

Date _____ Scale _____

Skyfold project No./Drawing No. _____ Quote Revision _____

SKY-XXXX _____ 0
Sheet No. _____ Revision _____



ELECTRICAL PLAN

PRELIMINARY:
THIS DRAWING IS INTENDED AS A GUIDE,
NOT FOR BUILDING PURPOSES.

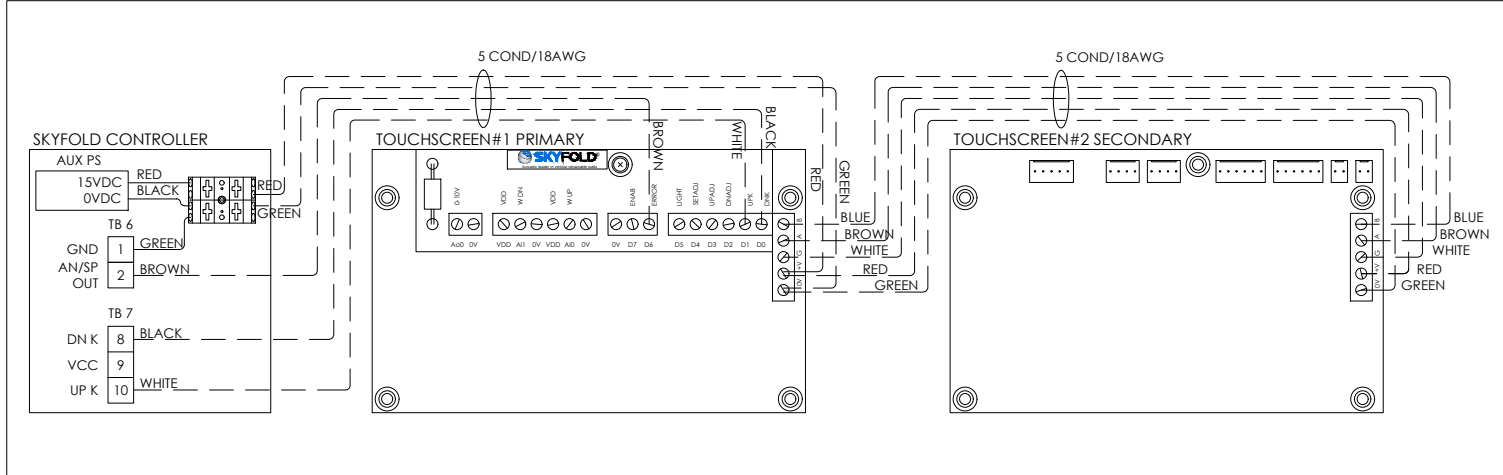
AC POWER INPUT: 208 - 240 VAC FOR 1 HP & LESS
(5 AMPS FUSED ISOLATOR)

TB 4 AC INPUT

PHASE A	1	— BLACK —	L1	X	208 VAC
PHASE B	2	— RED —	L2		230 VAC
PHASE C	3	— WHITE —	L3		240 VAC

--- GROUND

WIRING DIAGRAM FOR TOUCH SCREENS (SKYFOLD TOUCHSCREENS ONLY)



POWER MUST BE AVAILABLE AT TIME OF INSTALLATION.

THE ELECTRICAL CONTROL BOX IS TO BE MOUNTED BY THE ELECTRICAL CONTRACTOR.

Specified electrical: 208 VAC ±10%*, 3φ, 60 Hz.

* DAMAGE MAY OCCUR TO THE SYSTEM IF THE VOLTAGE IS OUTSIDE OF THIS RANGE.

Motor size:
Varies- Project Specific



Project

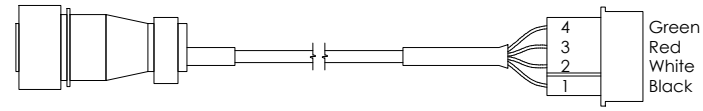
TYPICAL ODD SKYFOLD
ZENITH PREMIUM WALL

Drawing title

X@ X'-X" [XXXX] x X'-X" [XXXX] B.O. Pocket
Standard drive unit - 4+1 & 6+1 panels high

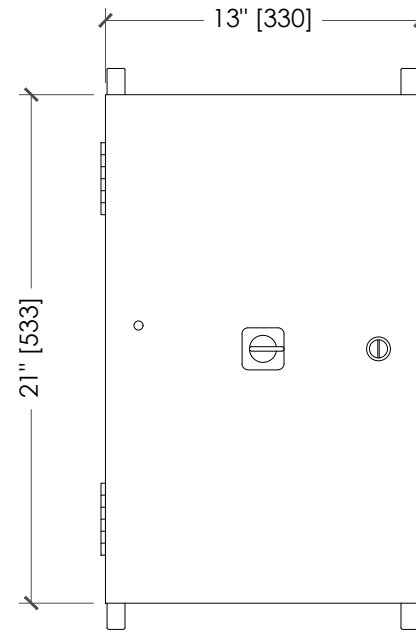
ELECTRICAL DETAILS

Date	Scale
	N/A
Skyfold project No./Drawing No.	Quote Revision
SKY-XXXX	0
Sheet No.	Revision
7 of 8	PRELIM

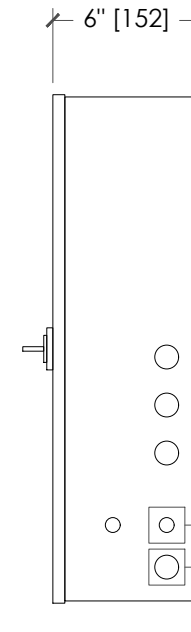


Wall at lower limit, pins 1+2 close
 Wall at upper limit, pins 3+4 close
 Contact maximum ratings
 250mA @ 24VAC/DC max

**A/V ADAPTER PLUG ASSEMBLY
 (SOCKET CONNECTOR INCLUDED)**



Front view



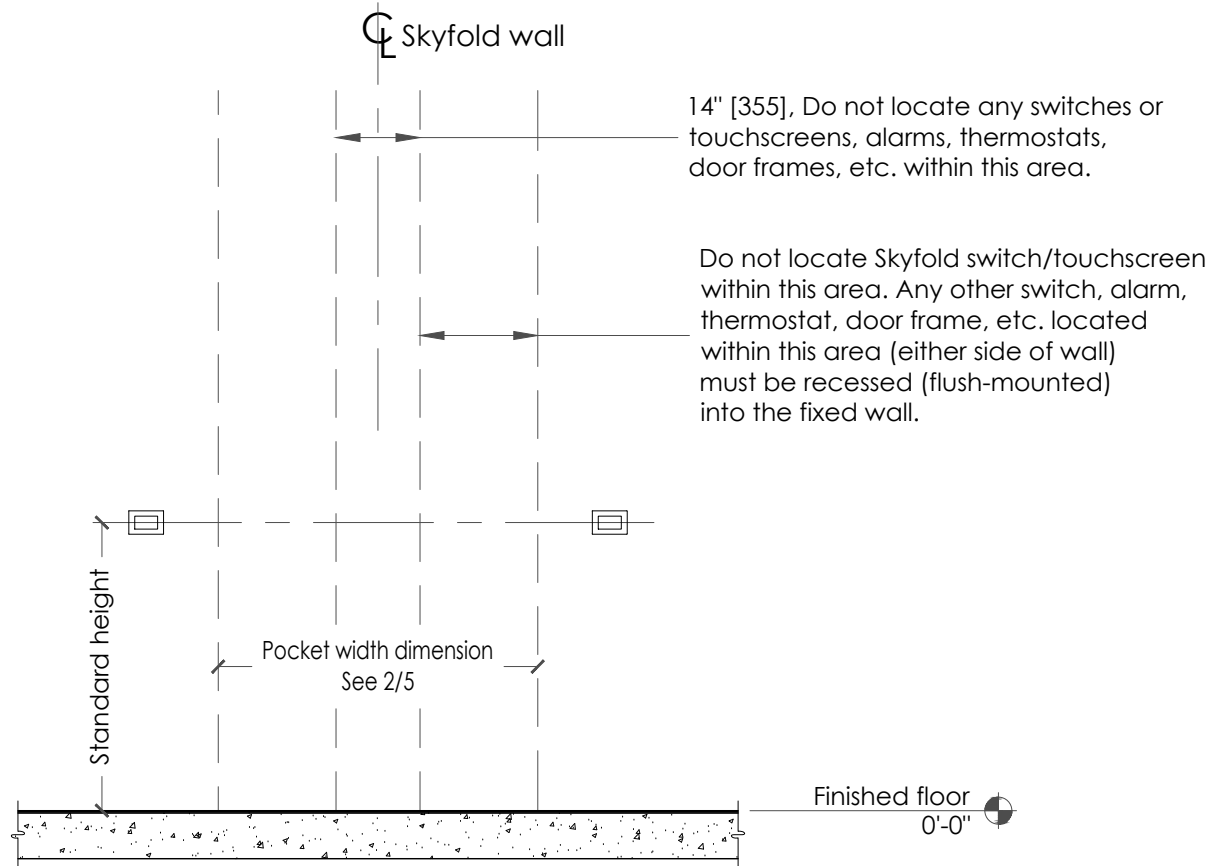
Side view

Control box weight = 41 lbs. [19 kg]

A/V dry contact adapter
 provided to interface
 with external systems
 Strain relief for switch wires

CONTROL BOX

PRELIMINARY:
 THIS DRAWING IS INTENDED AS A GUIDE,
 NOT FOR BUILDING PURPOSES.



ELEVATION SHOWING SWITCHES

POWER MUST BE AVAILABLE AT TIME OF INSTALLATION.

THE ELECTRICAL CONTROL BOX IS TO BE MOUNTED BY
 THE ELECTRICAL CONTRACTOR.

Specified electrical: 208 VAC ±10%*, 3φ, 60 Hz.

* DAMAGE MAY OCCUR TO THE SYSTEM IF THE
 VOLTAGE IS OUTSIDE OF THIS RANGE.

Motor size:
 Varies- Project Specific



Project
 TYPICAL ODD SKYFOLD
 ZENITH PREMIUM WALL

Drawing title
 X@ X'-X" [XXXX] x X'-X" [XXXX] B.O. Pocket
 Standard drive unit - 4+1 & 6+1 panels high

ELECTRICAL DETAILS

Date _____ Scale _____
 Skyfold project No./Drawing No. _____ Quote Revision N/A

SKY-XXXX _____ 0
 Sheet No. _____ Revision