

**NOTES TO G.C.**

1. Give special attention to any obstructions to ceiling pockets & cables (i.e. ducts, sprinkler pipes, drain pipes, electrical conduits, etc.).
2. One steel C-channel\*\* (flanges down) to be supplied & installed by others. Alternate steel support to be approved by Skyfold.

\*\*C-channel designation:

North & South America = C8 x 11.5 [C200 x 17]  
Europe = C200 x 75  
Asia = C200 x 80

Support steel above the wall along its axis must be parallel to the floor within 1/2" [12.7] for the entire length of the wall (this includes loaded deflection).

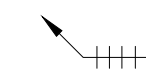
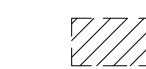

3. Attachment details of C-channel\*\* to structure to be designed by others & must not interfere with Skyfold hangers or motor unit or lifting cables.
4. Structural steel support & bracing must not interfere with motor mounts or ceiling supports.
5. Sprayed-on fireproofing (mineral wool & cement) is not recommended for use on the steel support to which Skyfold is attached. An intumescent coating or film is preferred. Local building codes must be respected. Fireproofing is by others.
6. Approximate weight of wall: XXXX lbs. [XXXX Kg.]  
Maximum weight per hanger: XXX lbs. [XXXX Kg.]
7. Maximum cable tension: XXX lbs. [XXX N.]
8. Specified electrical: 208 VAC, 3Ø, 60 Hz.

\* POWER MUST BE AVAILABLE AT TIME OF INSTALLATION.

THE ELECTRICAL CONTROL BOX IS TO BE MOUNTED BY THE ELECTRICAL CONTRACTOR.

9. 24 volt key switch controls & boxes to be installed by electrical contractor as per standard light switch. Boxes to be fitted at desired key switch location with suitable cable run back through ceiling void to control box position, including sufficient spare to allow connection. Key switches are supplied by Skyfold & are required on each side of the wall.
10. Motor size: Varies - project-specific.  
Full load amp: XXXX A
11. Skyfold requires two 24" x 24" [610 x 610] (minimum) access panels in acoustic ceiling directly beside motor for installation & maintenance of system. Not required if finished ceiling is suspended ceiling tiles.
12. Drive unit to be installed prior to construction of acoustic barrier & pocket. All pocket construction (gypsum, suspended ceiling tile, framing, etc.) is by others.
13. Do not scale from this drawing. All dimensions must be verified on site.
14. Dimensions in [ ] are in millimeters (mm) unless noted otherwise.

**LEGEND**

-  KEY SWITCH CONTROL
-  CEILING SUPPORT & HANGER
-  CEILING ACCESS PANEL

Authorized Skyfold distributor

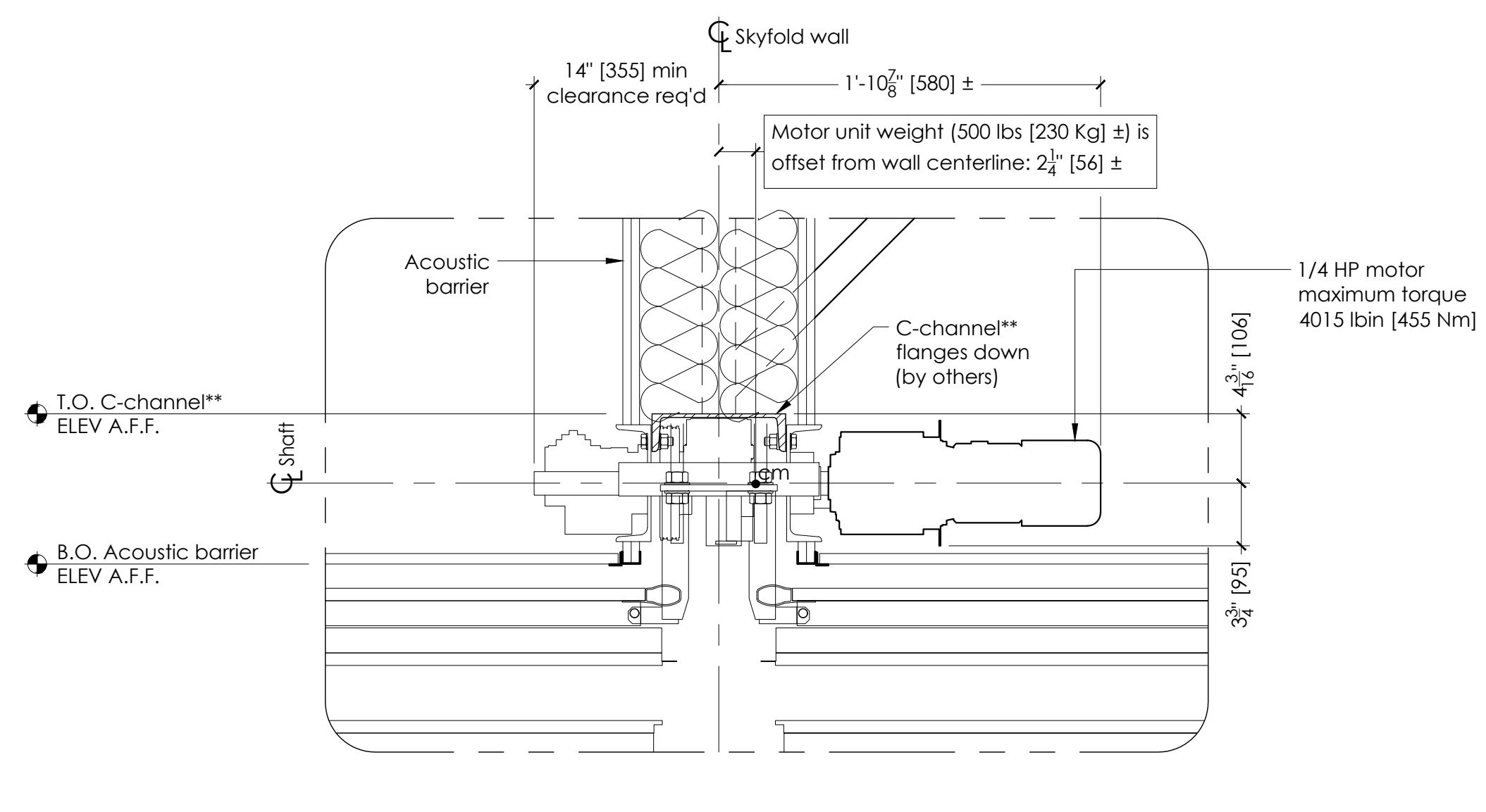
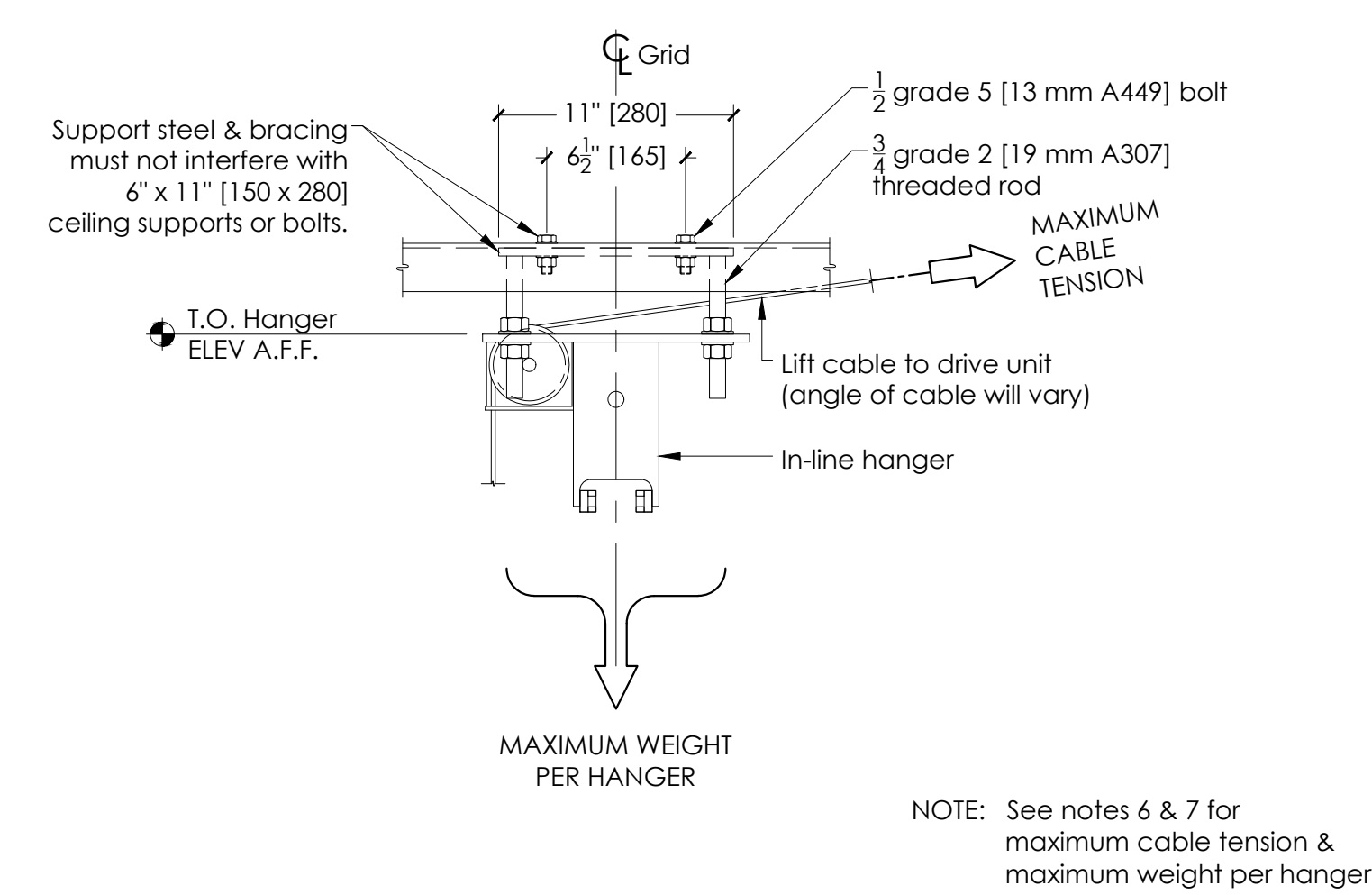
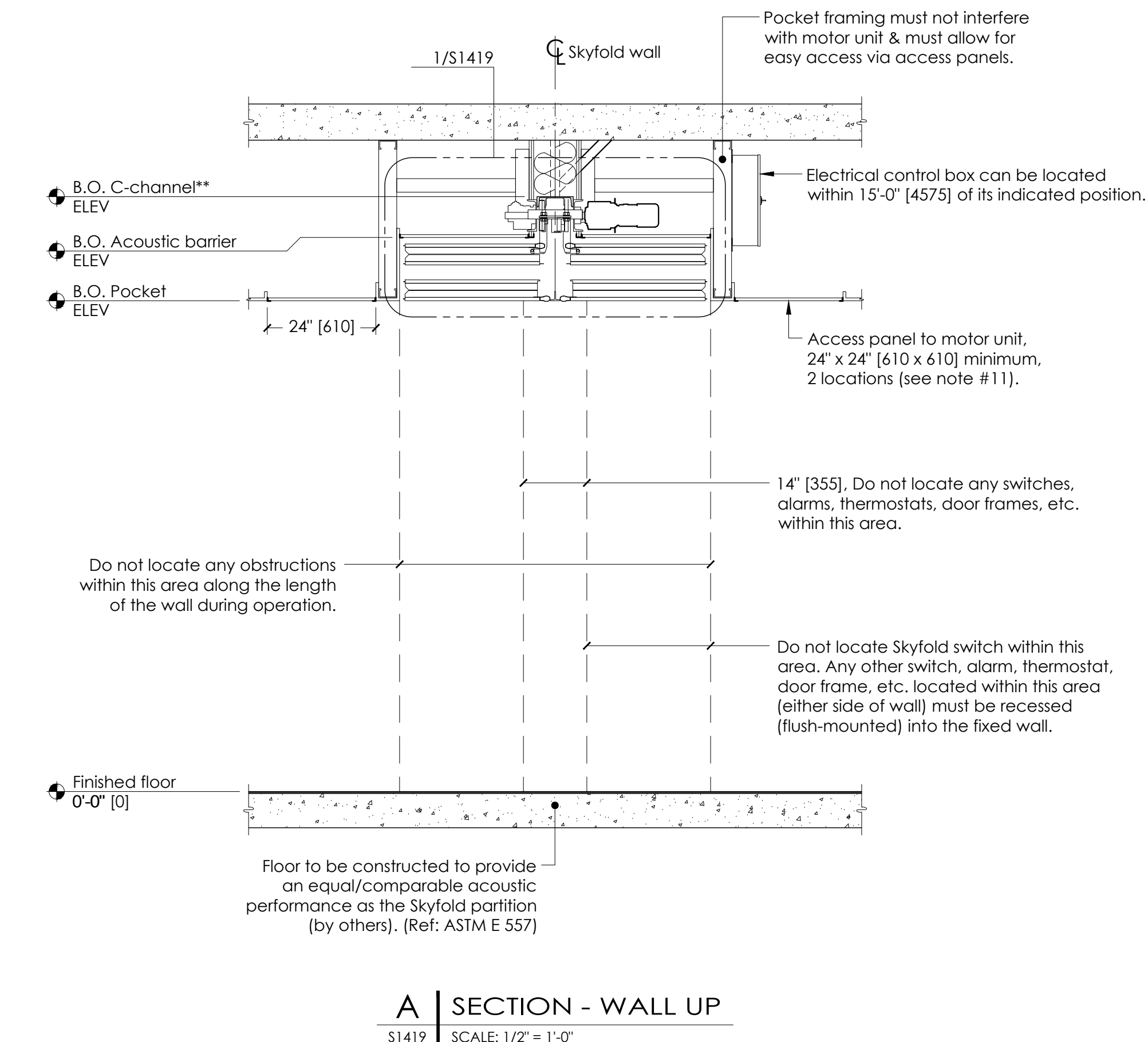
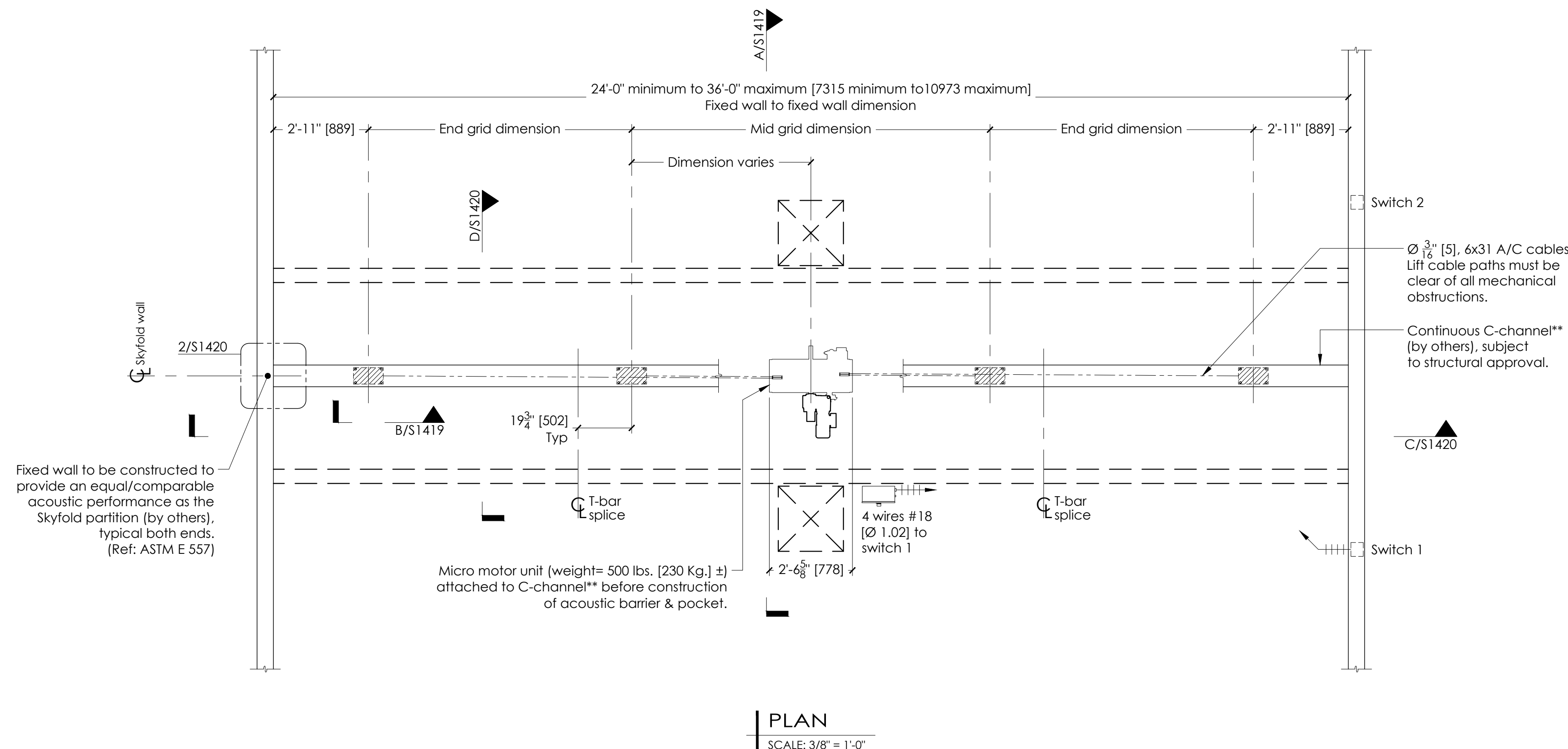
Project

**TYPICAL SKYFOLD WALL**

Drawing title  
24'-0" min to 36'-0" max [7315 min to 10973 max]  
x 9'-0" max [2745 max] B.O. Pocket  
Micro drive unit

**PLAN & MECHANICAL DETAILS**

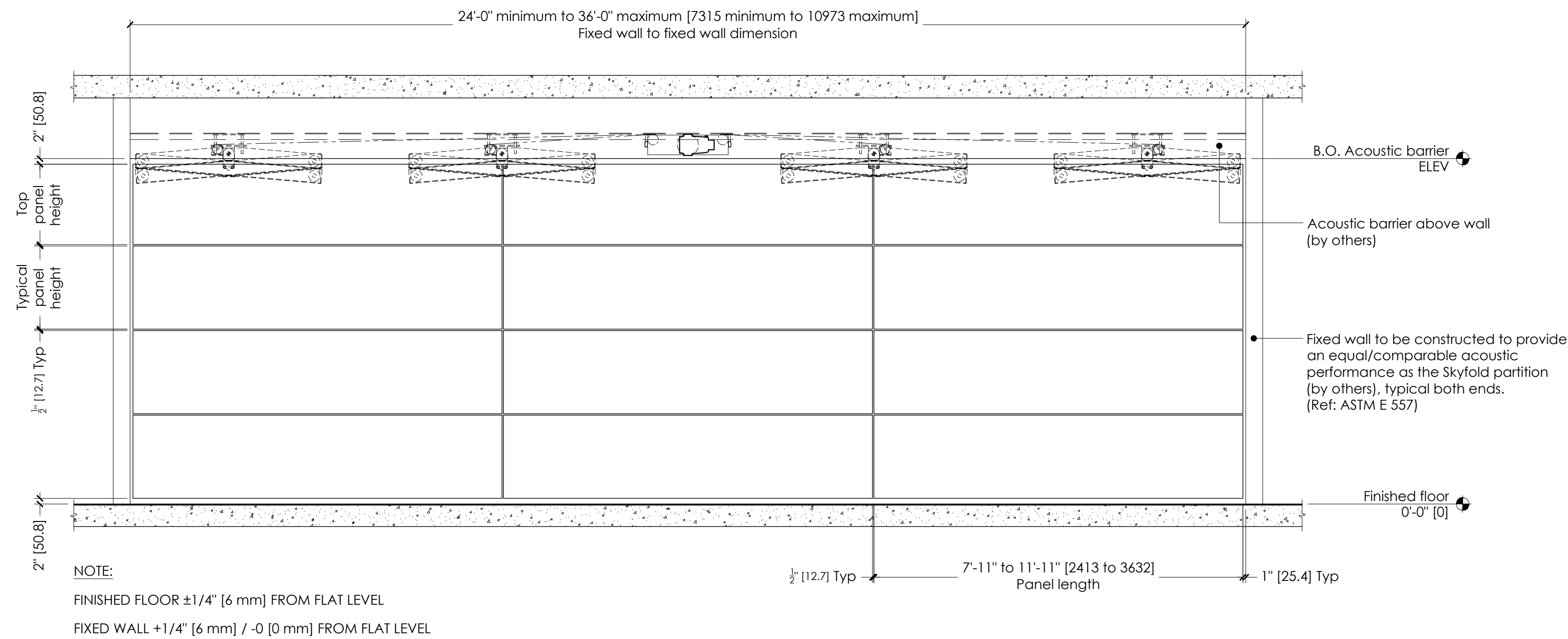
Architect	Contractor		
Drawn by	Date	Approved by	Date
Skyfold project No.	Scale	As noted	Sheet No. 1 of 3
Drawing No. S1419			Revision 7



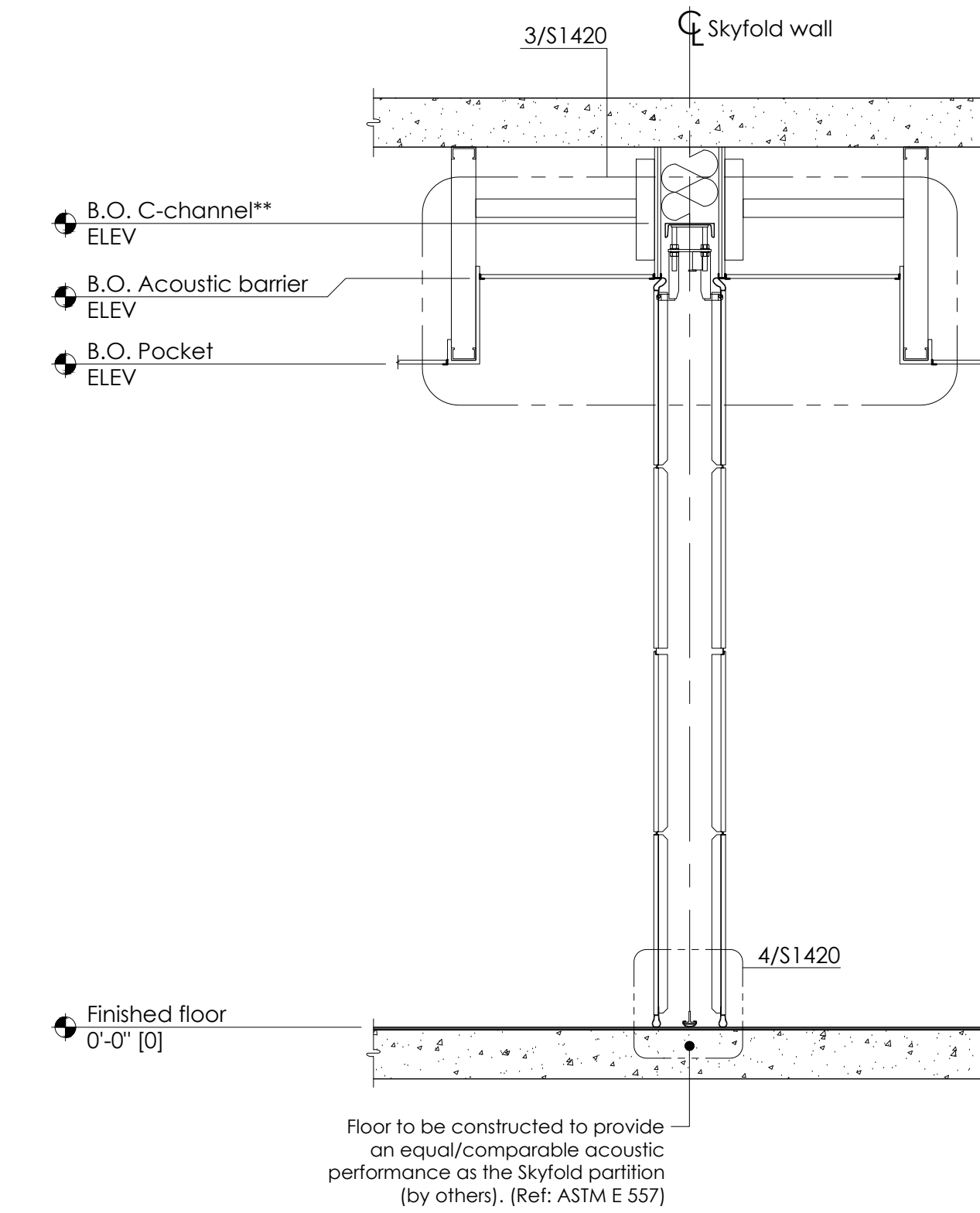
NOTE:  
SEE DRAWINGS R811737 & R811738 FOR 11'-10" MINIMUM TO 17'-0" MAXIMUM [3605 MINIMUM TO 5180 MAXIMUM] LONG WALL CONDITIONS.  
SEE DRAWINGS R811826 & R811827 FOR 17'-0" MINIMUM TO 24'-0" MAXIMUM [5180 MINIMUM TO 7315 MAXIMUM] LONG WALL CONDITIONS.

THIS DRAWING IS INTENDED AS A GUIDE. IN ALL CASES SKYFOLD SHOP DRAWINGS SPECIFIC TO EACH PROJECT ARE REQUIRED FOR FINAL BUILD-TO DIMENSIONS.

NOTE:  
SEE DRAWINGS R811826 & R811827 FOR 17'-0" MINIMUM TO 24'-0" MAXIMUM [5180 MINIMUM TO 7315 MAXIMUM] LONG WALL CONDITIONS.  
  
SEE DRAWINGS S1419 & S1420 FOR 24'-0" MINIMUM TO 36'-0" MAXIMUM [7315 MINIMUM TO 10973 MAXIMUM] LONG WALL CONDITIONS.



**C | ELEVATION - WALL DOWN**  
S1419 | SCALE: 3/8" = 1'-0"



**D | SECTION - WALL DOWN**  
S1419 | SCALE: 1/2" = 1'-0"

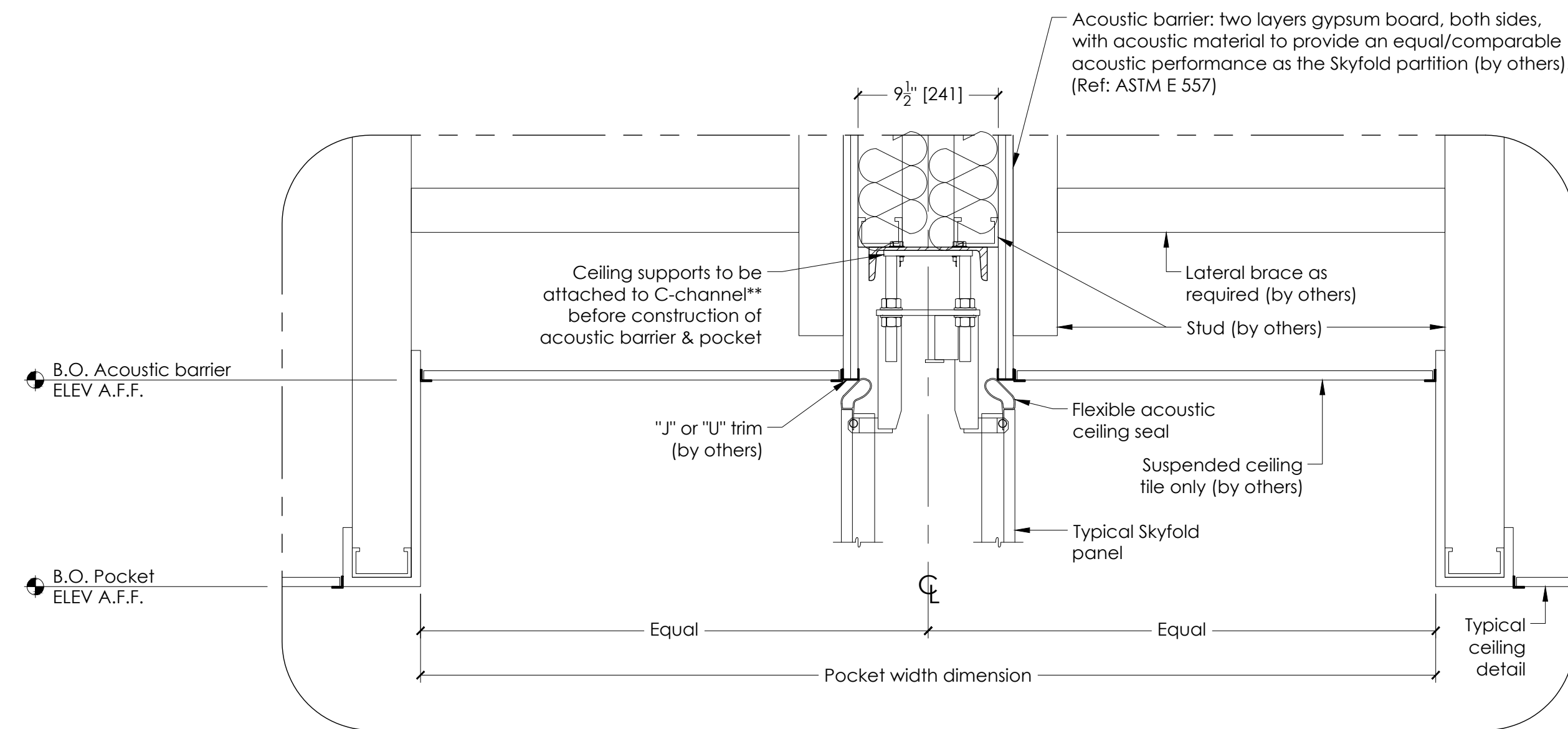
**NOTES TO G.C.**

- Give special attention to:
  - Any obstructions to ceiling pockets & cables (i.e. ducts, sprinkler pipes, drain pipes, electrical conduits, etc.).
  - Tolerances of fixed walls & finished floor.
  - Removable ceiling tile for top of pocket.
- Acoustic performance:
  - Skyfold Classic 51**  
North America: STC: 51 as per ASTM E90  
Europe: Rw: 51 as per ISO 140-3, Part 3 & ISO 717-1.2
  - Skyfold Classic 55**  
North America: STC: 55 as per ASTM E90  
Europe: Rw: 54 as per ISO 140-3, Part 3 & ISO 717-1.2
  - Skyfold Classic 60**  
North America: STC: 60 as per ASTM E90  
Europe: Rw: 59 as per ISO 140-3, Part 3 & ISO 717-1.2
  - Skyfold Classic NRC**  
North America: STC: 50 as per ASTM E90  
NRC: 0.65 as per C423  
Europe: Rw: 49 as per ISO 140-3, Part 3 & ISO 717-1.2  
SAC: 0.65 as per ISO 354.
- Panel finish: XXXXXXXXXXXXXXXXXXXXXXXXXXXX.
- Skyfold requires two 24" x 24" [610 x 610] (minimum) access panels in acoustic ceiling directly beside motor for installation & maintenance of system. Not required if finished ceiling is suspended ceiling tiles.
- Drive unit to be installed prior to construction of acoustic barrier & pocket. All pocket construction (gypsum, suspended ceiling tile, framing, etc.) is by others.
- The floor underneath the wall along its axis must be flat to within 1/4" [6] over the entire length of the wall. A peak to valley undulation of ± 1/4" [6] must not be closer together than 24" [610]. A peak to valley undulation of ± 1/8" [3] must not be closer together than 12" [305].
- Do not scale from this drawing. All dimensions must be verified on site.
- Dimensions in [ ] are in millimeters (mm) unless noted otherwise.

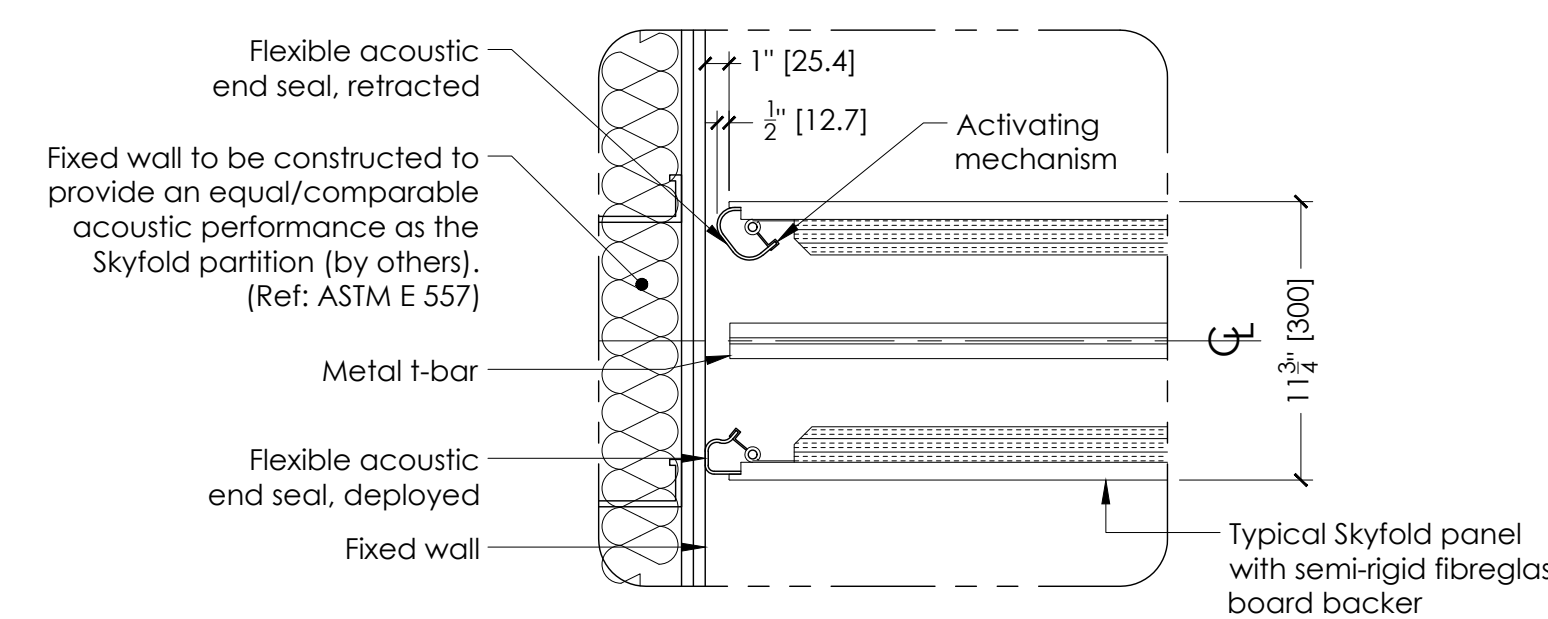
\*\*C-channel designation:

North & South America = C8 x 11.5 [C200 x 17]  
Europe = C200 x 75  
Asia = C200 x 80

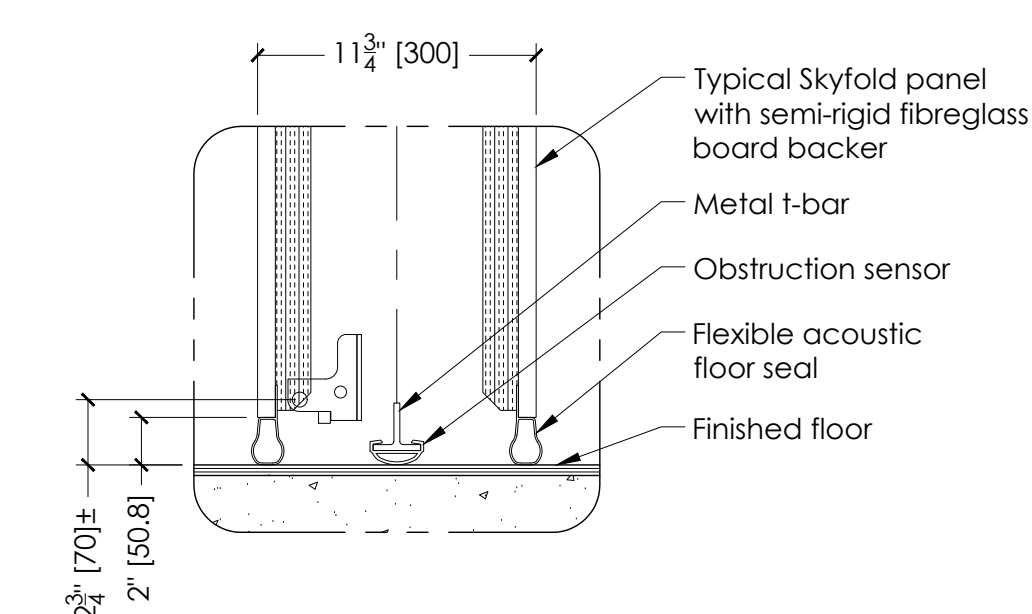
THIS DRAWING IS INTENDED AS A GUIDE. IN ALL CASES SKYFOLD SHOP DRAWINGS SPECIFIC TO EACH PROJECT ARE REQUIRED FOR FINAL BUILD-TO DIMENSIONS.



**3 | POCKET DETAIL**  
S1420 | SCALE: 1 1/2" = 1'-0"



**2 | END SEAL DETAIL**  
S1419 | SCALE: 1 1/2" = 1'-0"



**4 | FLOOR SEAL DETAIL**  
S1420 | SCALE: 1 1/2" = 1'-0"

Authorized Skyfold distributor

Project

**TYPICAL SKYFOLD WALL**

Drawing title  
24'-0" min to 36'-0" max [7315 min to 10973 max]  
x 9'-0" max [2745 max] B.O. Pocket  
Micro drive unit

**PANEL & POCKET DETAILS**

Architect	Contractor		
Drawn by	Date	Approved by	Date
Skyfold project No.	Scale	Sheet No.	
	As noted	2 of 3	
Drawing No.		Revision	
S1420			7