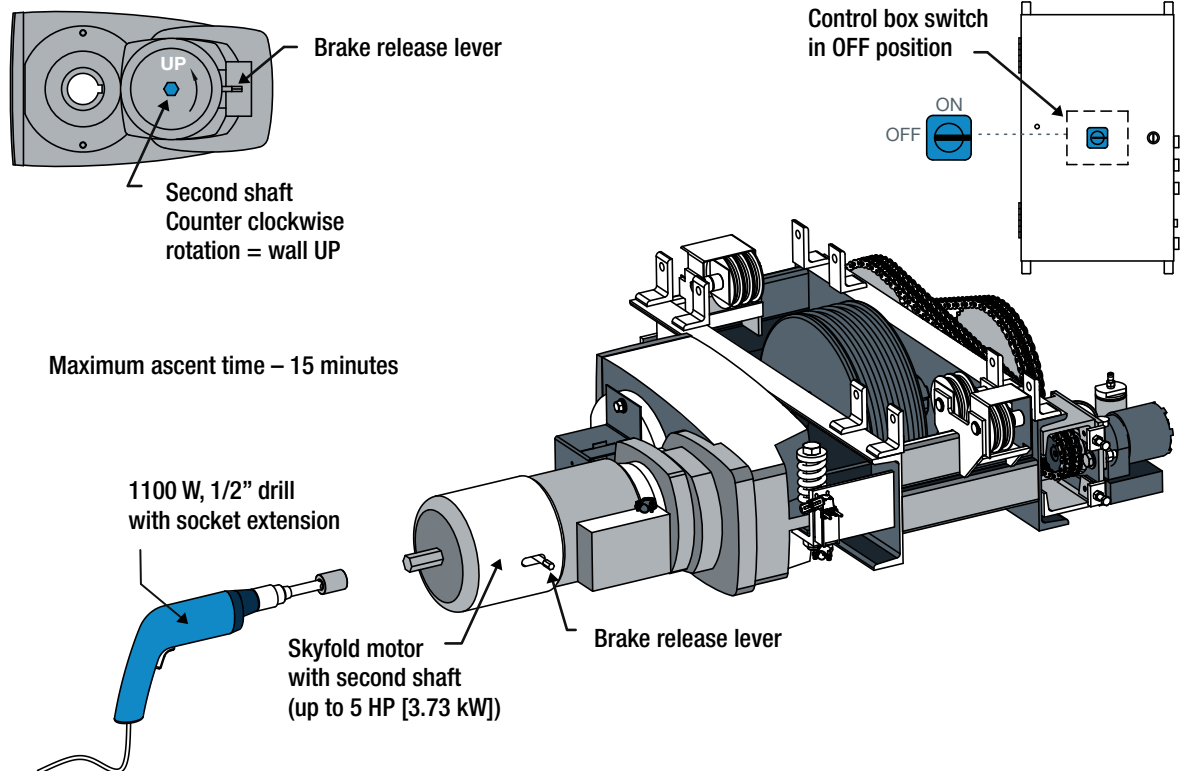


BACK-UP OPERATING PROCEDURE



In the unlikely event that the Skyfold wall does not respond to the key switch operation, it can now be operated by using a heavy duty drill. A shaft extension has been added to the motor allowing for an alternative method of raising and lowering the wall. This feature is now standard on all of our walls. This diagram is for illustration purposes only. Please refer to the applicable operating procedures for complete instructions.

For more information visit our website or contact us directly.

MAIN OFFICE

T +1 (514) 457-4767
F +1 (514) 457-7111
info@skyfold.com
www.skyfold.com

325 Lee Avenue
Montreal, Quebec
CANADA H9X 3S3

 **SKYFOLD**[®]
dormakaba Group